

DT4 SL DOUBLE SEAT TANK OUTLET VALVE

DP4 SL DOUBLE SEAT PIGGABLE VALVE

FORM NO.: H343758 REVISION: US-0

READ AND UNDERSTAND THIS MANUAL PRIOR TO OPERATING OR SERVICING THIS PRODUCT.



Waukesha Cherry-Burrell brand DT4 SL / DP4 SL Valves

WCB_DT4SL-DP4SL_US-0_052021.indd

Content	Page
1. General Terms	6
2. Safety	6
2.1 Symbols	
2.2 Safety Instructions	
3. Intended Use	7
4. Mode of Operation	8
4.1. General terms	
4.2. Valve in "closed" position	
4.3. Valve in "open" position	
5. Control Units / Valve Position Indication	10
5.1. Control unit and adapter	
5.2. Valve position indication	
6. Auxiliary Equipment	11
6.1. Tank bottom weld flange (option) -> DT4 SL - only	
7. Cleaning	12
7.1. Flow area	
7.2. Seat area	
7.3. Leakage chamber including drain housing	
7.4. Cleaning recommendation	
7.5. Cleaning of upper area - > DT4 SL - only	
7.6. Cleaning of lower area	
8. Installation and Commissioning	14
8.1. Welding Instructions	
9. Dimensions / Weights	15
9.1. DT4 SL Valve with control unit	
9.2. DT4 SL Valve with valve position indication	
9.3. DP4 SL Valve with control unit	
9.4. DP4 SL Valve with valve position indication	
10. Technical Data	19
10.1. General data	
10.2. Compressed air quality	
10.3. Cvs values	
10.4. Air consumption / Switching times	
10.5. Valve stroke / Opening cross section	
11. Maintenance	22
12. Service Instructions	23
12.1. Removal from line system (DT4) and disassembly of the valve insert (DP4)	
12.2. Removal of product-wetted parts	
12.3. Installation of product-wetted seals and assembly of the valve	
12.4. Installation of the valve	
13. Assembly Instructions and Tools for Seals	27
13.1. Middle seal	
13.2. Seat seals	
14. Trouble Shooting	29
15. Spare Parts Lists	29
DT4 SL 1,5"-4", DN40-100	RN 501.100.01
DP4 SL 1,5"-4", DN40-100	RN 504.047.01

1. General Terms

This instruction manual should be read carefully by the competent operating and maintenance personnel.

We point out that we will not accept any liability for damage or malfunctions resulting from the non-compliance with this instruction manual.

Descriptions and data given herein are subject to technical changes.

2. Safety

2.1 Symbols



Caution!

The technical safety symbol draws your attention to important directions for operating safety. You will find it wherever the activities described are bearing health hazards and risks for persons and / or material assets.



Important Note!

Critical technical information

2.2 Safety Instructions



**Opening of the actuators is strictly forbidden.
Danger to health and life!**

Actuators which are no longer used and/or are defective must be disposed in professional manner.

Defective actuators must be returned
to your SPX FLOW company
for their professional disposal and free of charge for you.

Please address to your local SPX FLOW company.



- Never touch the valve or pipelines during hot liquid or sterilisation processes!



- Disconnect electric and pneumatic connections, e.g. before maintenance.



- Before any maintenance work, depressurize the line and cleaning system and discharge the lines and tank if possible.



- Observe Service Instructions to ensure safe maintenance of the valve.

2. Safety



- Connections which are not used must be sealed by a plug!



- The safe discharge of the cleaning liquids must be ensured.



- The valves must be assembled, disassembled and reassembled only by persons who have been trained in the valves or by SPX FLOW service team members. If necessary, contact your local SPX FLOW representative.

3. Intended Use

The intended use as field of application of the double seat tank outlet valve is the safe filling and emptying of tanks and the safe separation of tank and pipeline in the food and beverage industries as well as in pharmaceutical and chemical applications.

The intended use of the double seat piggable valve is the safe shut-off of pipeline sections and the separation of incompatible liquids in piggable applications in the food and beverage industries as well as in pharmaceutical and chemical applications, where residues of valuable products shall be recovered from the pipeline. It can only be used for homogenous products. It is not to be used for products with particles!



Caution! The standard DT4 SL / DP4 SL valve must not be used in explosive atmospheres.



Caution! Arbitrary, structural changes at the valves may affect safety as well as the intended functionality of the valves and are not permitted.

SPX FLOW Valves are intended for use in the food and beverage industries, as well as in pharmaceutical and chemical applications.

SPX FLOW Valves (without safety function) are allocated to Category 1 and are evaluated as per Conformity Assessment Module A of the Pressure Equipment Directive 2014/68/EU. According to Article 13, the following allocation applies for the fluids processed in the valves.

Product media – Fluid group 2 – valves in all dimensions.
CIP-cleaning liquids – Fluid group 1 – valves in the dimensions $\leq 4"$ (DN100) can be used at temperatures up to 284°F (140°C), valves in the dimensions $> 4"$ (DN100) at temperatures up to 212°F (100 °C).

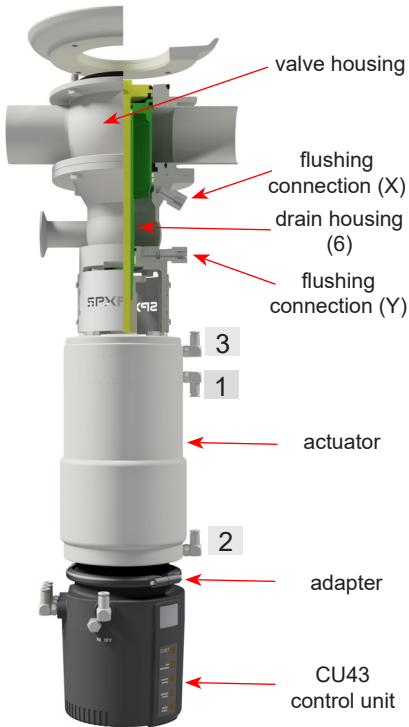
Authorizations and External Approvals

To view the certifications for this and other innovative SPX FLOW products, visit <https://www.spxflow.com/en/apv/about-us/certifications/>

It is within the responsibility of the plant operator to evaluate and verify the suitability of SPX FLOW products for the intended purpose and service conditions, as well as to determine and follow the applicable laws for the intended applications and areas of application.

4. Mode of Operation

fig. 4.1. DT4 SL valve with control unit

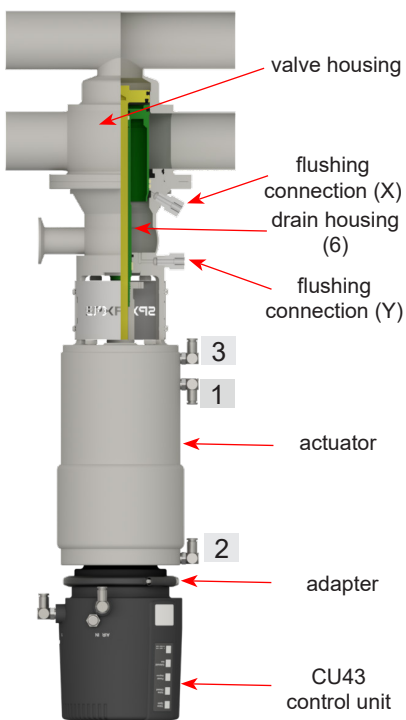


4.1. General terms

Due to its construction and mode of operation as well as to the use of high quality stainless steel and adequate seal materials, the DT4 SL double seat tank outlet valves and DP4 SL double seat piggable valves are suited for applications in the food and beverage industries as well as in pharmaceutical and chemical applications.

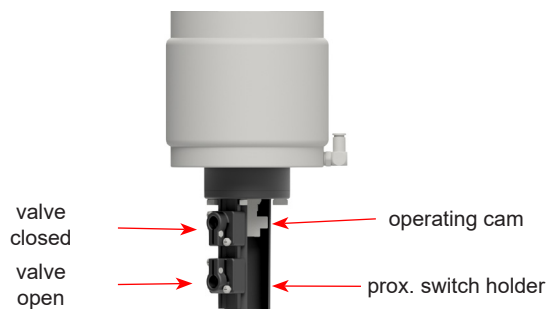
- The DT4 SL valve separates tank and pipeline by two independently operating valve shafts with an intervening leakage chamber.
- The DP4 SL valve uses the same valve insert as the DT4 SL valve with a special piggable housing. It separates two line passages by two independently operating valve shafts with an intervening leakage chamber. The upper housing can be passed by a pig to recover residues from the pipeline.
- The valve opens from the top to the bottom in a low-leakage design.
- Leakages are discharged via the drain housing (6) in depressurized state.
- The pneumatic actuator opens the valve via the air connection (1). The spring force resets the valve into the "closed" safe position.
- The standard DT4 SL / DP4 SL valve is equipped with an actuator including seat lift function and a CU43 control unit.
- Cleaning of the seat is controlled via the air connections.
 - 2 = to lift upper shaft
 - 3 = to lift lower shaft

fig. 4.1. DP4 SL valve with control unit



- The flushing connection (X) cleans the outer surfaces of the lower shaft which is below the shaft seal.
- The flushing connection (Y) cleans the cavity of the drain housing.
- As an option, the closed and open positions of the DT4 SL / DP4 SL can be detected via proximity switches.

fig. 4.2. DT4 SL / DP4 SL valve with proximity switch holder



4. Mode of Operation

4.2. Valve in "closed" position

The lower and upper valve shafts are in closed position and safely separate the different liquids A and B. The leakage chamber L, which is situated between the two valve shafts, provides for a free and depressurized discharge to the drain housing. The lower valve shaft is balanced and, thereby, protected against pressure hammer.

fig. 4.2. DT4 SL valve

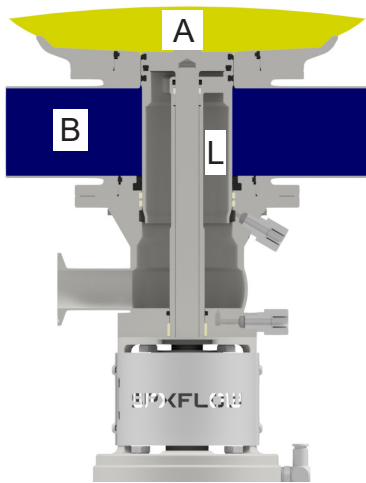
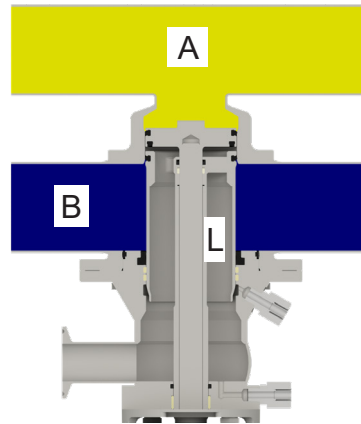


fig. 4.2. DP4 SL valve



4.3. Valve in "open" position

The middle seal in the upper valve shaft is pressed against the lower valve shaft by control of the actuator.

First, the leakage chamber L is closed against the product chamber.

Then the two valve shafts move downwards into the open position.

DT4: The connection between the tank A and pipeline B is established.

DP4: The connection between pipelines A and B is established.

fig. 4.3. DT4 SL valve

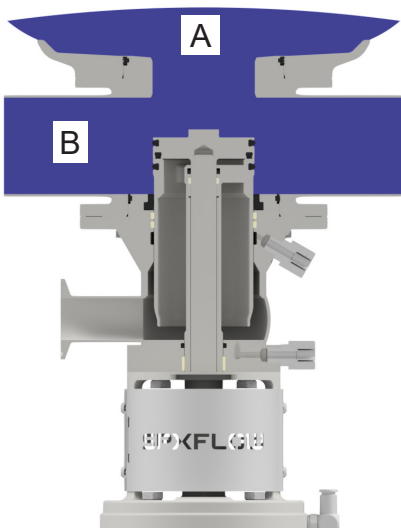
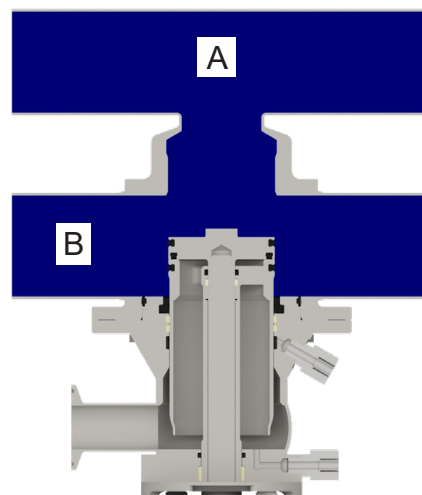


fig. 4.3. DP4 SL valve



5. Control Units / Valve Position Indication

5.1. Control unit and adapter

An adapter is required to assemble the control unit on the DT4 SL / DP4 SL valve. The following designs are available:

CU4 control unit



Designation	DT4 SL / DP4 SL	
Ø Air connection	6 mm	1/4" OD
CU4 Control Unit		
Direct Connect	CU43-DT4 Direct Connect H342432	CU43-DT4 Direct Connect H342433
Direct Connect M12	CU43-DT4-M12 Direct Connect M12 H342430	CU43-DT4-M12 Direct Connect M12 H342431
AS-interface extended	CU43-DT4 AS-i extended H342428	CU43-DT4 AS-i extended H342429
AS-interface extended M12	CU43-DT4-M12 AS-i extended M12 H342426	CU43-DT4-M12 AS-i extended M12 H342427
Adapter	CU4-S adapter cmpl. H320474	
CU4plus Control Unit		
Direct Connect	CU43plus-DT4 Direct Connect H342454	CU43plus-DT4 Direct Connect H342455
Direct connect M12-8pin	CU43plus-DT4 Direct Connect M12-8pin H342474	CU43plus-DT4 Direct Connect M12-8pin H342473
AS-interface extended	CU43plus-DT4 AS-i extended H342423	CU43plus-DT4 AS-i extended H342424
AS-interface extended M12-4pin	CU43plus-DT4 AS-i extended M12-4pin H342421	CU43plus-DT4 AS-i extended M12-4pin H342422
Adapter DN40-65, 1,5"-3"	CU4plus-DT4-62-adapter cmpl. (pls. see spare parts list)	
Adapter DN80-100, 4"	CU4plus-DT4-92-adapter cmpl. (pls. see spare parts list)	

5.2. Valve position indication

Proximity switches to signal the closed and open position of the valve can be installed at the proximity switch holder.

We recommend using one of these standard types:

three-wire proximity switch
 operating distance: 0.196" (5 mm)
 diameter: 0.433" (11 mm)
 operating voltage: 10–30 V DC
 pnp pulse-shifting, closing function
 "non-flush" installation

Recommendation:

Proximity switch 24V DC, PNP, 0.433" DIA. (5 m cable): H16223
 Proximity switch 24V DC, PNP, 0.433" DIA. (cable box): H16342

If the customer decides to use valve position indicators other than those listed above, SPX FLOW cannot assume any liability for the functionality of the valve.

Waukesha Cherry-Burrell brand DT4 SL / DP4 SL Valves

WCB_DT4SL-DP4SL_US-0_052021.indd

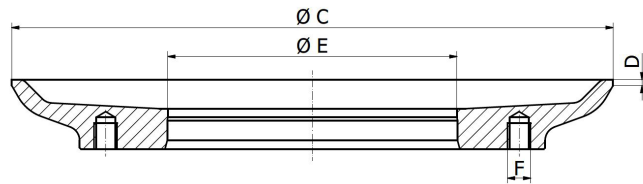
6. Auxiliary Equipment

6.1. Tank bottom weld flange (option) -> DT4 SL - only

The tank bottom weld flange does not form part of the scope of supply of the valve and can be ordered under the following reference / part numbers.

Size	ØC	D	ØE	F	Part no.
1.5" - 3"	8.2	0.1	3.9	M8	H343207
4"	10.2	0.1	5.0	M10	H343208

tank bottom weld flange



7. Cleaning

In the cleaning process of the DT4 / DP4 valves, distinction is made between the following areas: Flow areas, Seat area, Leakage chamber, and Drain housing.

7.1. Flow area

The CIP-fluid cleans the upper and lower passages of the valve during tank or pipeline cleaning.

7.2. Seat area

The seat area and leakage chamber are cleaned through lifting of the individual valve shafts during cleaning of the respective passage.

7.3. Leakage chamber including drain housing

CIP flushing through cleaning connection (Y) cleans the seat area and the leakage chamber. CIP flushing through the cleaning connection (X) cleans the outside area of the lower shaft below the shaft seal.

CIP spraying does not produce pressure build-up in the leakage chamber. CIP spraying can be done in the closed valve position, as well as in the open valve position. Both connections can be fed from one supply line.

Under standard conditions 15 valves 1.5"-4" (DN 40-100), 10 valves 6" (DN 125-150) can be cleaned via one spray distribution line 1" (DN 25).

If CIP flushing is not used, respectively close the connection with a plug.

7.4. Cleaning recommendation

Cleaning steps	Seat lifting cycle DT4 SL / DP4 SL	CIP spraying
pre-flushing	–	3 x 10 sec.
caustic flushing 176°F (80°C)	3 x 5 sec.	3 x 10 sec.
intermediate flushing	2 x 5 sec.	2 x 10 sec.
acid flushing	3 x 5 sec.	3 x 10 sec.
subsequent flushing	2 x 5 sec.	2 x 10 sec.

- The lifting cycles refer to a cleaning pressure of $p = 29-72$ psi (2-5 bar).
- Depending on the pressure ratio, cleaning temperatures, cleaning steps and degree of soiling, time and number of cycles must be adjusted.
- Flushing quantities per CIP spraying cycle:
1.5-4" (DN40-100) about 0.32 US gal/10s (1.2 ltr/10s)
- Cleaning pressure at CIP cleaning connection:
min. 29 psi (2 bar)
max. 72 psi (5 bar)

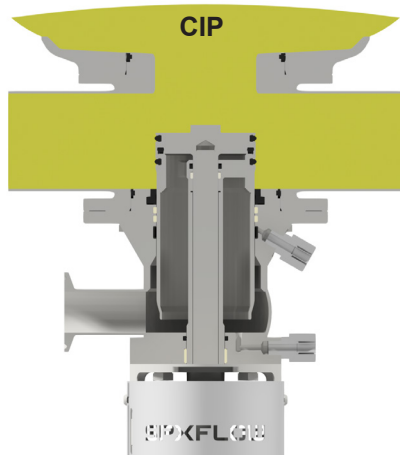


Caution!

The cleaning liquid applied must be compatible with the respective seal material.

7. Cleaning

fig. 7.5.



7.5. Cleaning of upper area -> DT4 SL - only

During tank cleaning, the DT42 SL valve is open. The cleaning fluid flushes over the open valve seat, the upper and lower shaft into the line.

7.5.1. Upper seat lift

The upper valve shaft is lifted via connection (2), as shown in fig. 4.1.1. on page 8.

Through the lifting of the upper valve shaft, the cleaning fluid flushes over the upper seat seal and the upper valve seat into the leakage chamber and cleans this area. The cleaning fluid is drained off via the drain housing.

The lifting stroke is limited by the actuator.

fig. 7.5.1. DT4 SL valve

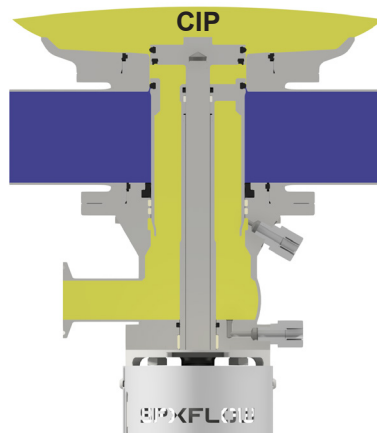
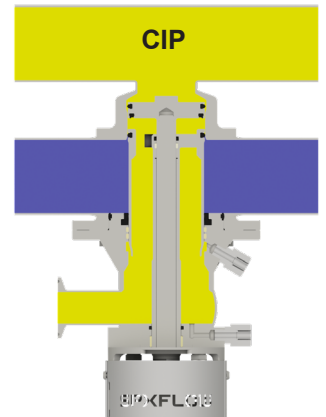


fig. 7.5.1. DP4 SL valve



7.6. Cleaning of lower area

The lower valve shaft is lifted via connection (3), as shown in fig. 4.1.1. on page 8.

Through the lifting of the lower valve shaft, the cleaning fluid flushes over the lower seat seal into the leakage chamber and cleans this area. The cleaning fluid is drained off via the drain housing.

The lifting stroke is limited by the actuator.

fig. 7.6. DT4 SL valve

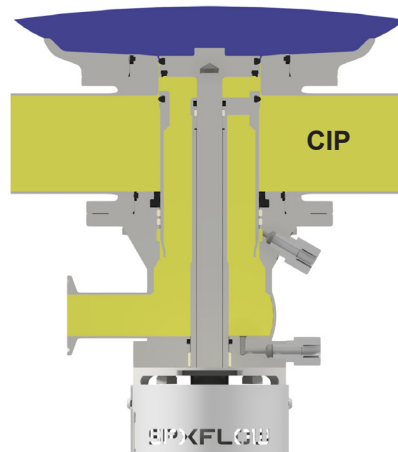
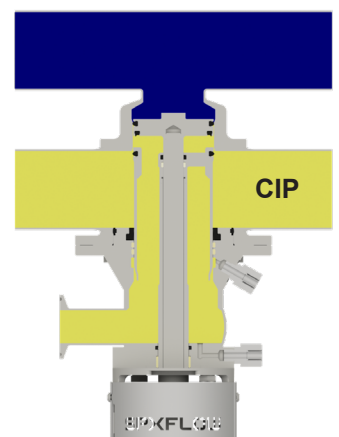


fig. 7.6. DP4 SL valve



8. Installation and Commissioning

- To allow fluids to drain completely and freely from the valve housing, the leakage chamber and the drain housing, the valve must be installed in vertical position.



Caution! Leakages and fluid losses from seat lifting and CIP-spraying must be safely collected and drained!

DT4: The housing of the DT4 SL valve **cannot** be welded directly into the pipeline. Separate connections (flanges or unions) must be provided at the lateral ports of the valve housing.

DP4: The housing of the DP4 SL valve can be welded directly into the pipeline (completely removable valve insert).

Note! Observe welding instructions.



Caution!

Before first startup:

- Actuate the valve by applying compressed air. The opening, closing and shaft lifting processes must run smoothly.
- Check the function of the control unit or valve position indication.
- Check for possible leakages during commissioning. Replace defective seals.

8.1. Welding Instructions

DT4: Tank bottom weld flange

- Welding should only be carried out by certified welders (DIN EN ISO 9606-1 and AD-2000 HP3).
- Observe the thread hole positions during welding (position of valve housing ports).

DT4: Valve housing

- Remove the tank flange seal from the valve housing.
- Before welding the connections to the valve housing, disassemble the valve insert.

DP4: Valve housing

- Before welding the valve housing into the pipeline, remove the valve insert from the housing.



Caution! Handle and store the valve insert carefully to avoid damaging the parts.

- Separate connections (flanges, etc.) must be considered for the continuing pipe system.
- Welding should only be carried out by certified welders (DIN EN ISO 9606-1) (seam quality DIN EN ISO 5817).
- The welding of the valve housings must be undertaken in such a way that the valve body is not deformed.
- The preparation of the weld seam up to 0.12" (3 mm) thickness must be carried out as a square butt joint without air. Consider shrinkage!
- TIG orbital welding is recommended.



Caution! After welding the valve housing or mating flanges, and after performing any work on the piping, do not operate the valves until the corresponding areas of the installation and piping have been cleaned and welding residue has been removed. If the piping is not cleaned before operation, welding residue and dirt particles can settle in the valves and cause damage to the valves and seals.

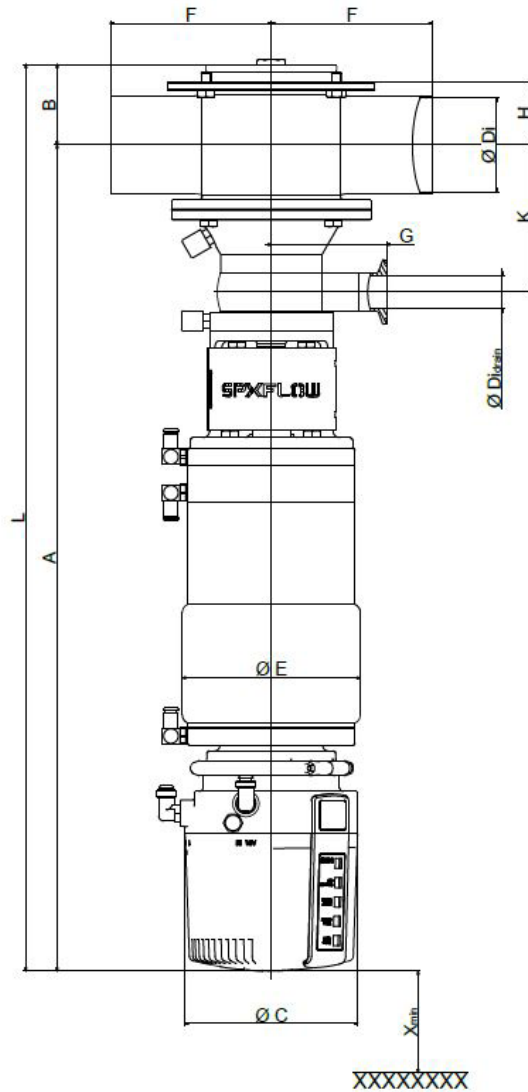
- If these welding instructions are not followed, any resulting damage will not be covered by the warranty.
- Welding directives for aseptic applications shall be drawn from the AWS/ANSI Directives and EHEDG Guidelines.

Waukesha Cherry-Burrell brand DT4 SL / DP4 SL Valves

WCB_DT4SL-DP4SL_US-0_052021.indd

9. Dimensions / Weights

9.1. DT4 SL Valve with control unit



Dimensions in IN												inst. dim.	weights in lb. with CU
Size	A	B	Ø C	Ø Di	Ø Di drain	Ø E	F	G	H	K	L	X*	
1.5"	23.6	1.8	5.3	1.4	1.0	5.4	4.9	3.5	1.3	3.8	25.5	3.9	47.4
2"	24.4	2.1	5.3	1.9	1.0	5.4	4.9	3.5	1.5	4.0	26.4	3.9	47.8
2.5"	25.0	2.2	5.3	2.4	1.0	5.4	4.9	3.5	1.6	4.3	27.2	3.9	48.9
3"	25.3	2.5	5.3	2.9	1.0	5.4	4.9	3.5	1.9	4.5	27.7	3.9	49.1
4"	28.1	3.1	5.3	3.8	1.5	7.6	5.6	5.8	2.4	5.1	31.2	5.9	87.3

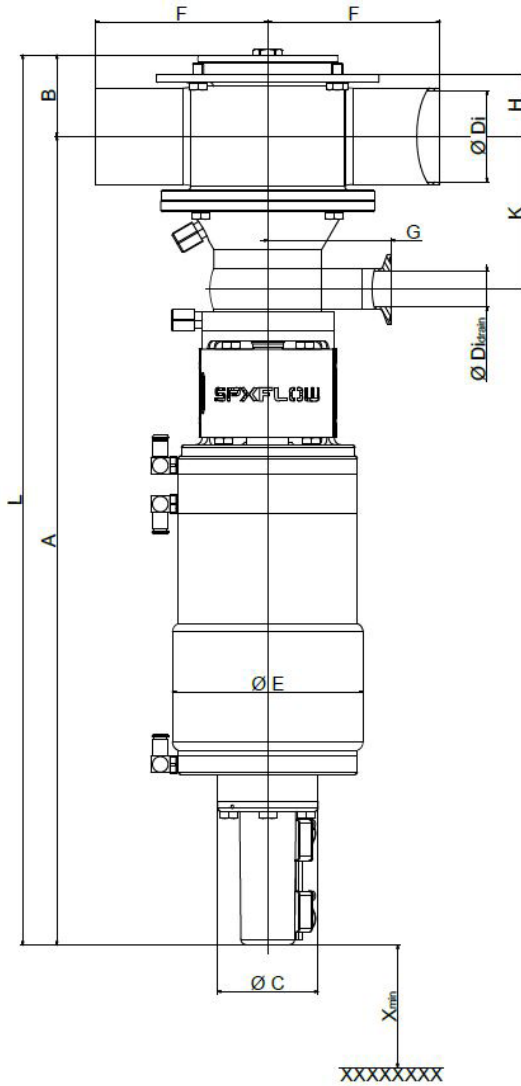
*Minimum installation and valve insert removal dimensions

Waukesha Cherry-Burrell brand DT4 SL / DP4 SL Valves

WCB_DT4SL-DP4SL_US-0_052021.indd

9. Dimensions / Weights

9.2. DT4 SL Valve with valve position indication



Dimensions in IN												inst. dim.	weights in lb. with VPI
Size	A	B	Ø C	Ø Di	Ø Di drain	Ø E	F	G	H	K	L	X*	
1.5"	21.6	1.8	2.8	1.4	1.0	5.4	4.9	3.5	1.3	3.8	23.5	3.9	45.2
2"	22.4	2.1	2.8	1.8	1.0	5.4	4.9	3.5	1.5	4.0	24.4	3.9	45.6
2.5"	23.0	2.2	2.8	2.4	1.0	5.4	4.9	3.5	1.6	4.3	25.2	3.9	46.7
3"	23.3	2.5	2.8	2.9	1.0	5.4	4.9	3.5	1.9	4.5	25.7	3.9	46.9
4"	26.1	3.1	2.8	3.8	1.5	7.6	5.6	5.8	2.4	5.1	29.1	5.9	85.1

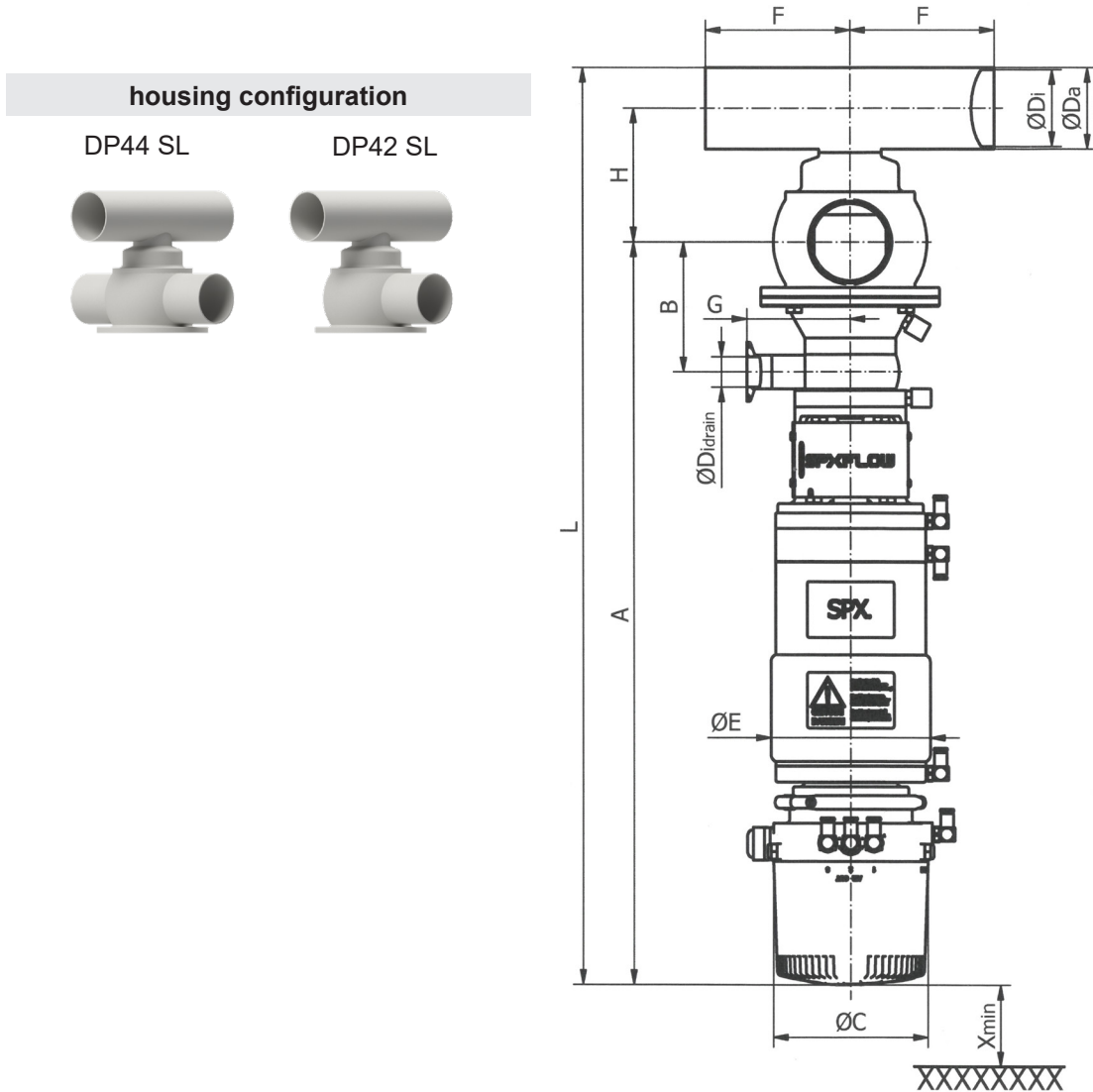
*Minimum installation and valve insert removal dimensions

Waukesha Cherry-Burrell brand DT4 SL / DP4 SL Valves

WCB_DT4SL-DP4SL_US-0_052021.indd

9. Dimensions / Weights

9.3. DP4 SL Valve with control unit



Dimensions in IN												inst. dim.	weights in lb with CU
Size	A	B	Ø C	Ø Da	Ø Di	Ø Di drain	Ø E	F	G	H	L	X min.	
1.5"	23.6	3.7	5.3	1.5	1.4	1.0	5.4	4.9	3.5	3.7	28.1	3.9	46.7
2"	24.4	4.0	5.3	2.0	1.8	1.0	5.4	4.9	3.5	4.0	29.4	3.9	47.4
2.5"	25.0	4.2	5.3	2.5	2.4	1.0	5.4	4.9	3.5	4.3	30.6	3.9	48.7
3"	25.3	4.5	5.3	3.0	2.8	1.0	5.4	4.9	3.5	4.6	31.4	3.9	49.2
4"	28.1	5.2	5.3	4.0	3.8	1.5	7.6	5.6	5.7	6.0	36.1	5.9	88.1

*Minimum installation and valve insert removal dimensions

Waukesha Cherry-Burrell brand DT4 SL / DP4 SL Valves

WCB_DT4SL-DP4SL_US-0_052021.indd

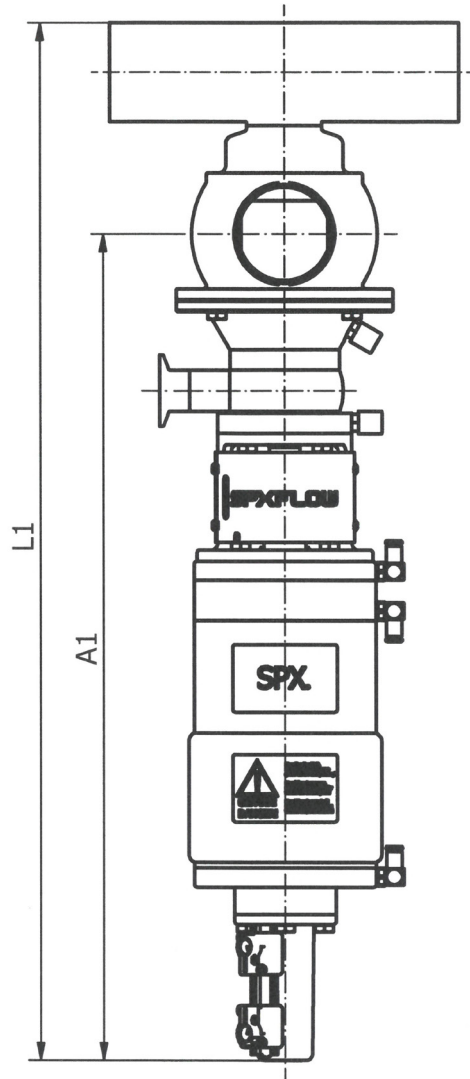
9. Dimensions / Weights

9.4. DP4 SL Valve with valve position indication

housing configuration

DP44 SL

DP42 SL



Dimensions in IN												inst. dim.	weights in lb with VPI
Size	A1	B	Ø C	Ø Da	Ø Di	Ø Di drain	Ø E	F	G	H	L1	X min.	
1.5"	21.6	3.7	5.3	1.5	1.4	1.0	5.4	4.9	3.5	3.7	62.1	3.9	44.5
2"	22.4	4.0	5.3	2.0	1.8	1.0	5.4	4.9	3.5	4.0	27.4	3.9	45.2
2.5"	23.0	4.2	5.3	2.5	2.4	1.0	5.4	4.9	3.5	4.3	28.6	3.9	46.5
3"	23.3	4.5	5.3	3.0	2.8	1.0	5.4	4.9	3.5	4.6	29.4	3.9	47.0
4"	26.1	5.2	5.3	4.0	3.8	1.5	7.6	5.6	5.7	6.0	34.1	5.9	86

*Minimum installation and valve insert removal dimensions

Waukesha Cherry-Burrell brand DT4 SL / DP4 SL Valves

WCB_DT4SL-DP4SL_US-0_052021.indd

10. Technical Data

10.1. General data

Product-wetted parts 1.4404, 316L
(DIN EN 10088)
Other parts 1.4301,304
(DIN EN 10088)

Seals
1.5"-4" standard (DN40–100) EPDM
1.5"-4" options (DN40–100) HNBR, FPM

Max. line pressure lower line 145 psi (10 bar)

Max. holding pressure upper shaft

Size	1.5"	2"	2.5" 3"	4"
Pressure in psi	94.3	91.4	81.2	73.9

Max. operating temperature 275°F
(135°C) EPDM, HNBR
FPM*

Short-term load 284°F
(140°C) EPDM, HNBR
FPM*
*no steam

Tightening torque for counteracting at lower shaft 14.5 ft-lb (20 Nm)

Tightening torque for self-locking nut at upper valve shaft 29 ft-lb (40 Nm)

Ø Cleaning connection 1.5-4" (DN40-100) 0.315 x 0.039" (8x1 mm)

Ø Air connection 1/4" OD
Max. pneumatic air pressure 116 psi (8 bar)
Min. pneumatic air pressure 72 psi (5 bar)

10.2. Compressed air quality

Quality class acc. to DIN ISO 8573-1

Content of solid particles quality class 3,
max. size of solid particles per m³
10000 of 0,5 µm < d < 1,0 µm
500 of 1,0 µm < d < 5,0 µm

Content of water quality class 3,
max. dew point temperature -68°F (-20°C)
For installations at lower temperatures
or at higher altitudes, consider additional
measures to reduce the pressure dew point
accordingly.

Content of oil quality class 1, max. 0,01 mg/m³

The oil applied must be compatible with Polyurethane elastomer materials.

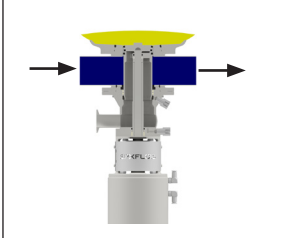
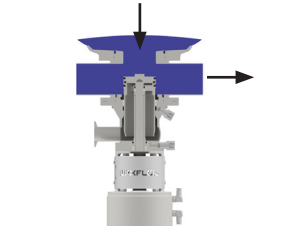
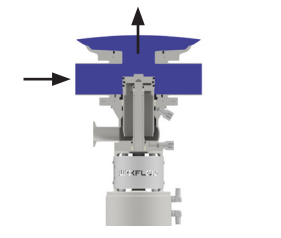
Waukesha Cherry-Burrell brand DT4 SL / DP4 SL Valves

WCB_DT4SL-DP4SL_US-0_052021.indd

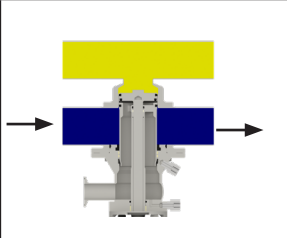
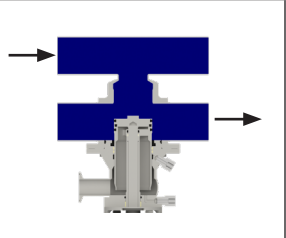
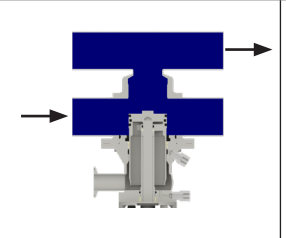
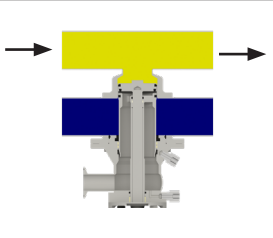
10. Technical Data

10.3. Cvs values in gpm

10.3.1 Cvs values in gpm for DT4 SL

			
Size	lower line	tank to lower line	lower line to tank
1.5"	167	110	145
2"	312	272	409
2.5"	537	431	449
3"	704	647	462
4"	1043	1157	1157

10.3.2 Cvs values in gpm for DP4 SL

				
Size	lower line	upper line to lower line	lower line to upper line	upper line
1.5"	167	57	62	220
2"	313	141	159	445
2.5"	537	247	277	740
3"	704	387	405	1079
4"	1043	621	652	2039

Waukesha Cherry-Burrell brand DT4 SL / DP4 SL Valves

WCB_DT4SL-DP4SL_US-0_052021.indd

10. Technical Data

10.4. Air consumption / Switching times for DT4 SL and DP4 SL

Size	Air consumption at 72 psi (5 bar)			Switching times in seconds at 72 psi (5 bar) / CU43	
	ft ³ /stroke valve open	ft ³ /stroke upper seat lift	ft ³ /stroke lower seat lift	Open* 29 psi (2 bar) tank pressure	Closed** 29 psi (2 bar) tank pressure
1.5"	0.0618	0.1872	0.0145	1.7	2.3
2"	0.0848	0.2172		2.1	2.9
2.5"	0.1042	0.2507		2.5	3.5
3"			2.5	3.5	
4"	0.2734	0.6604	0.0406	4.1	9.6
				4.1	9.6

* Note that a higher tank pressure (DT4) / pressure in the pigging line (DP4) will accelerate the opening time.

** Note that a higher tank pressure (DT4) / pressure in the pigging line (DP4) will elongate the closing time.

10.5. Valve stroke / Opening cross section for DT4 SL and DP4 SL

fig. 10.5. DT4 SL valve

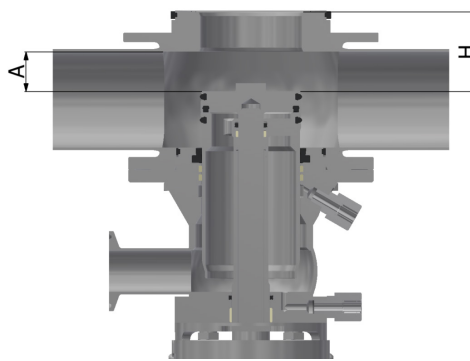
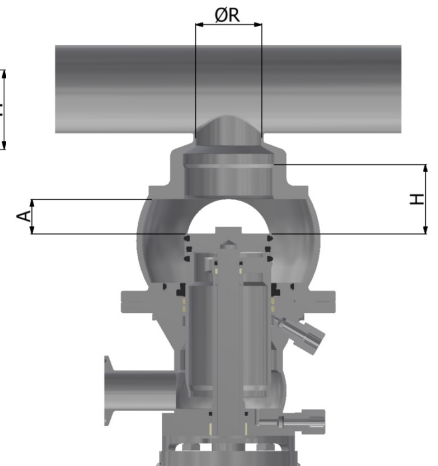


fig. 10.5 DP4 SL valve



Dimensions in IN			
Size	A	stroke H upper shaft	ØR / DP4
1.5"	0.12	1.10	0.87
2"	0.59	1.57	1.37
2.5"	0.98	1.97	1.87
3"	0.98	1.97	2.37
4"	1.38	2.36	2.84

11. Maintenance



Note!

The maintenance intervals are different depending on the application and must be determined by the operator performing regular checks.

- Compressed air is not required to remove or to disassemble the valve.



Caution!

Do not clean the valve with products containing abrasive or polishing substances. Abrasive and polishing agents are especially harmful to the upper and lower shaft.



Required tools for standard maintenance:

- 1 x wrench SW7, SW13, SW17, SW24, SW27
- 2 x wrench SW19
- 1 x adjustable face pin spanner wrench Ø 0.12" (3 mm)
- 1 x Allen key SW3
- 1 x Allen key SW6
- 1 x slotted screwdriver 0.12" (3 mm)
- pick tool for O-ring and rubber seal removal
- assembly tool for middle seal, see page 25
- assembly tool for seat seals, see page 26

- For valve maintenance SPX FLOW offers complete seal kits (see spare parts lists).



Caution!

The use of seal materials being compatible with the product, application and CIP liquids must be ensured. In case of doubt, contact your local SPX FLOW representative.

- For seal replacement instructions, see section 12.2 to 12.3.

- Provide all seals with a thin layer of grease before their installation!
Recommendation:
Assembly grease for EPDM, HNBR and FPM (Viton)
0,75 kg/tin - part no. H147382
60 g/tube - part no. H147381

- Provide all screws and threaded parts with grease before their installation.
Recommendation: Klüber paste UH1 84-201
60 g/Tube - part no. H147379

Recommendation for actuator:
Pneumatic grease:
25 ml/tube - part no. H164725

- For valve assembly instructions, see section 12.3. to 12.4.

12. Service Instructions

fig. 12.1. DT4 SL valve

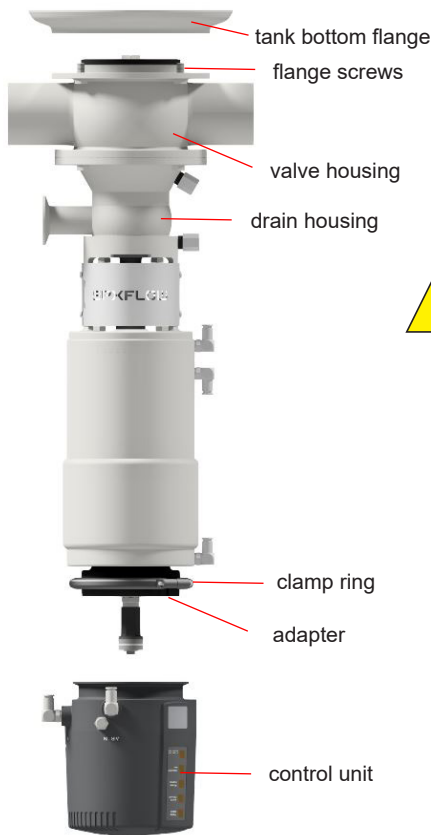
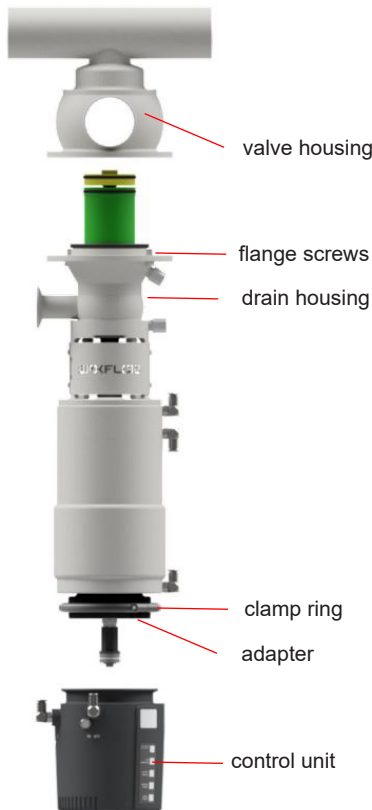


fig. 12.1. DP4 SL valve



The item numbers refer to the spare parts drawings

DT4 SL 1,5"-4", DN40-100 RN 501.100.01

DP4 SL 1,5"-4", DN40-100 RN 504.047.01

For the Disassembly/Assembly tools, see chapter 13.

12.1. Removal from line system (DT4) and disassembly of the valve insert (DP4)



Caution!

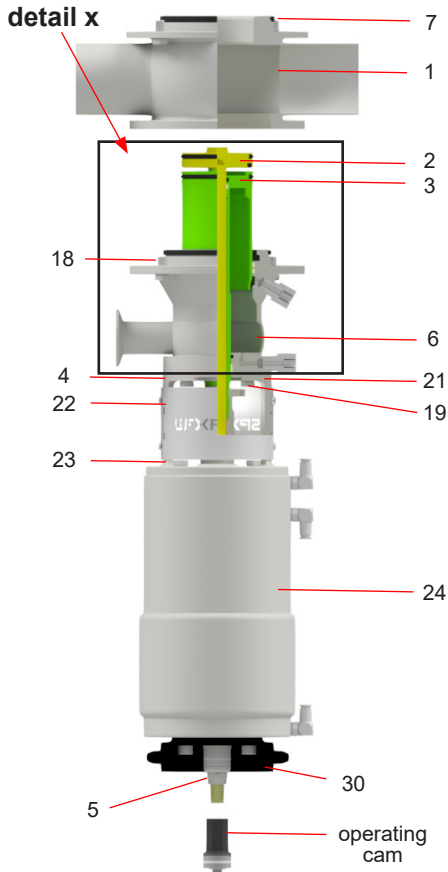
- DT4:** Shut off the tank and line pressure in the product and cleaning lines, and discharge the tank and the pipes.

DP4: Shut off the line pressure in the product and cleaning lines and discharge the pipelines if possible.

- Remove the compressed air lines from the valve actuator (24).
- Release the 2 screws at the clamp rings and lift the control unit off the adapter.
- Design with proximity switch holder: Release the screws (35) at the proximity switch holder (32) and lift off the proximity switch holder (32) and the adapter (33).
- Remove the connection from the port of the drain housing (6) as well as the flushing connections.
- DT4:** Release the separate connections at the lateral ports of the valve housing (1). Remove the flange screws (17) at the tank bottom flange.
- DT4:** Screw two flange screws (17) into the threaded holes of the housing flange to lift the complete valve from the tank bottom flange slightly.
- DT4:** Pull the complete valve carefully out of the tank bottom flange.
- DP4:** Remove two of the flange screws from the lid of the drain housing. For additional safety, replace these two screws by longer screws which are partially threaded into the flange. Once these longer screws are in place, the other two flange screws can be removed safely.
- DP4:** Screw one flange screw in the threaded bore of the lid of the drain housing to release the complete valve insert.
- DP4:** Release the valve insert carefully out of the valve housing.

12. Service Instructions

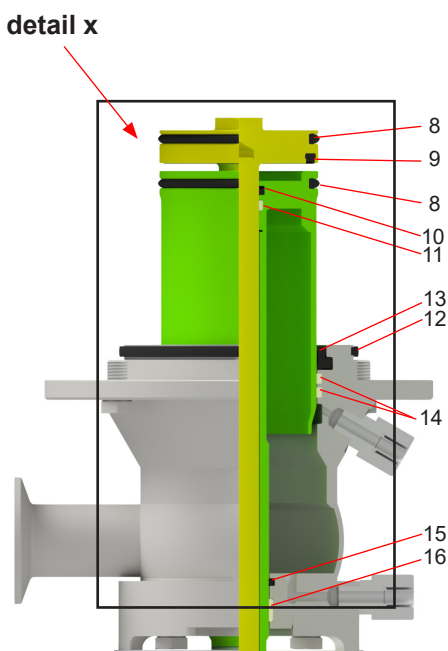
fig. 12.2.1.



12.2. Removal of product-wetted parts

1. Loosen the operating cam with a SW17 wrench and remove it from the upper shaft rod.
2. In order to remove the adapter (30), remove the 4 screws.
3. **DT4:** Remove the 4 screws (18) in the lid of the drain housing (6).
4. **DT4:** Screw one screw (18) into the threaded hole of the lid of the drain housing to lift off the valve housing (1).
5. Unscrew the 4 screws (23) and remove the yoke covers (22).
6. Release the self-locking nut (5) with a SW19 wrench. Hold the upper shaft (2) with a second SW19 wrench to keep it from turning.
7. Then unscrew the upper shaft (2) from the actuator (24) and pull out the upper shaft (2) through the actuator (24) and the lower shaft (3).
8. Release the counter ring (4) on the lower shaft (3) with a face pin spanner $\varnothing 0.12''$ (3 mm). Hold the rod on top of the actuator (24) with a SW27 wrench to keep it from turning.
9. Unscrew the lower shaft (3) from the actuator (24) while holding the counter ring (4) to keep it from turning.
10. Remove the counter ring (4) from the lower shaft (3) and pull out the lower shaft (3) through the drain housing (6).
11. Remove the 4 screws (19) in the top of the yoke (21) and lift off the drain housing (6).
12. **DT4:** Remove the tank flange seal (7) from the valve housing (1).

fig. 12.2.2.



13. Removing the seals and the piston rings from the drain housing
Remove the housing seal (12) and the shaft seal (13). Place a pointed object in the gap of the piston rings (14). Slightly turn the object to lift the 2 piston rings (14) out of the groove of the drain housing (6). Use the pick tool to take the quad ring (15) and the guide ring (16) out of the grooves.
14. Removing seals in the upper shaft
Place the metal point of the pick tool along the side of the seat seal (8) and the middle seal (9) and pull them out of the grooves.
15. Removing the seals and the guide ring in the lower shaft (3)
Place the metal point of the pick tool along the side of the seat seal (8) and pull it out of the groove. Use the metal point to take the quad ring (10) and the guide ring (11) out of the grooves.

12. Service Instructions

fig. 12.3.1.

detail x

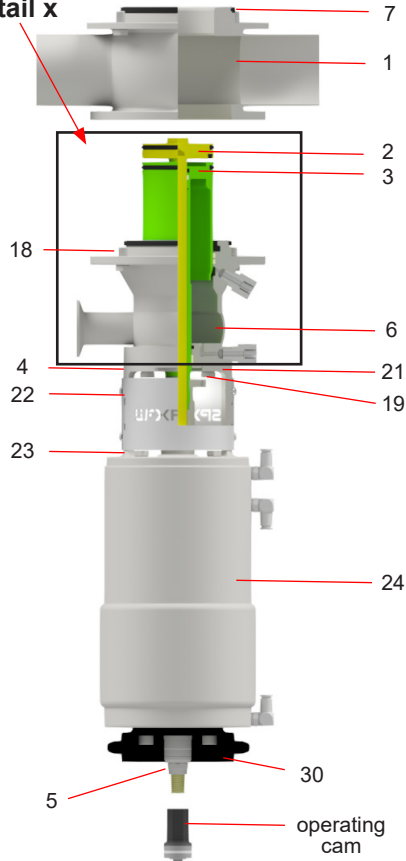
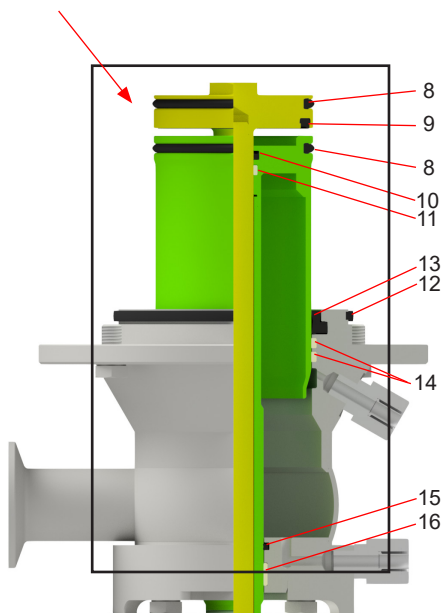


fig. 12.3.2.

detail x



12.3. Installation of product-wetted seals and assembly of the valve



Note!

Make sure that all seals and bearing surfaces in the product area are slightly greased before their installation.



Note!

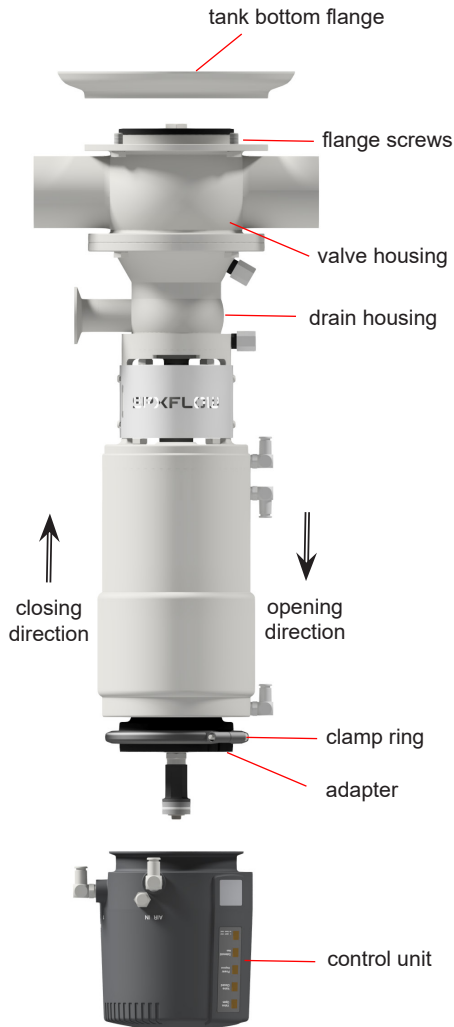
Screws should always be fastened crosswise

1. Install the quad ring (15), the guide ring (16), the 2 piston rings (14) and the shaft seal (13) in the drain housing (6).
2. Install the housing seal (12) at the lid of the drain housing.
3. Install the quad ring (10) and the guide ring (11) in the lower shaft (3).
4. Insert the middle seal (9) in the upper shaft (2) using the assembly tool (see chapter 13.1).
5. Insert the two seat seals (8) in the grooves at the upper shaft (2) and the lower shaft (3) following the assembly instructions in chapter 13.2.
6. **DT4:** Install the tank flange seal (7) at the seat ring of the valve housing (1).
7. Install the drain housing (6) on top of the yoke (21) with the 4 screws (19).
8. Introduce the lower shaft (3) through the drain housing (6) until the threaded pipe reaches the bottom of the drain housing.
9. Position the counter ring (4) on the lower shaft (3) and, then, screw the lower shaft (3) into the rod of the actuator (24) until it reaches the metal stop.
10. Screw the counter ring (4) on top of the actuator stem and use a SW27 spanner and a face pin spanner to tighten it and, thus, counter the lower shaft (3).
11. Install the upper shaft (2) through the lower shaft (3) and screw the shaft until it reaches the metal stop.
12. Screw the self-locking (5) nut on the upper shaft (2) and tighten it with a SW19 wrench with a tightening torque of 40 Nm. Use another SW19 wrench to keep the upper shaft from turning.
13. Install the yoke covers (22) on the yoke (21).
14. Fasten the adapter (30) on the actuator (24).
15. **DT4:** Slide the valve housing (1) over the upper and lower shaft and fix it with the 4 screws (18) on top of the drain housing (6).
16. Screw the operating cam on the upper shaft.

12. Service Instructions

12.4. Installation of the valve

fig. 12.4.1.



1. **DT4:** Introduce the valve in the tank bottom flange and tighten it with the 4 screws (17).
DP4: Introduce the complete valve insert into the valve housing and tighten it with the 4 flange screws.
2. **DT4:** Connect the separate connections to the lateral ports of the valve housing (1).
3. Connect the drain connection to the port of the drain housing (6) and the flushing connections.
4. Place the control unit on the adapter. Make sure that the control unit is centered on the adapter.
5. Place the clamp ring and fasten it with the 2 screws.
6. Assemble the compressed air lines.
Air connection 1: to open valve
Air connection 2: to lift upper shaft
Air connection 3: to lift lower shaft
7. Check the valve position indicators:

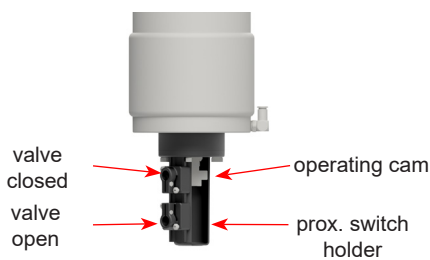
Closed valve position feedback – sensor 1 controlled

To adjust Hall sensor 1, ensure that the valve is in the closed position, the solenoid / manual override are not activated. The direction of adjustment of Hall sensor 1 has to be done against the closing direction of the DT4 valve. Turn the adjustment screw clockwise until the signal is lost. Then turn the adjustment screw anti-clockwise. When the LED appears, we recommend additional 2 x 360° turns of the adjustment screw to tolerate hysteresis and small variations.

Open valve position feedback – sensor 2 controlled

To adjust Hall sensor 2, first activate the solenoid valve 1, either manually or electrically. The direction of adjustment of Hall sensor 2 has to be done against the opening direction of the DT4 valve. Turn the adjustment screw anti-clockwise until the signal is lost. Then turn the adjustment screw clockwise. When the LED signal appears, we recommend additional 2 x 360° turns of the adjustment screw to tolerate hysteresis and small variations.

fig. 12.4.2.



8. Design with proximity switch holder:
Set the adapter (33) and the proximity switch holder (32) in position and fasten them with the screws (35).

Closed valve position

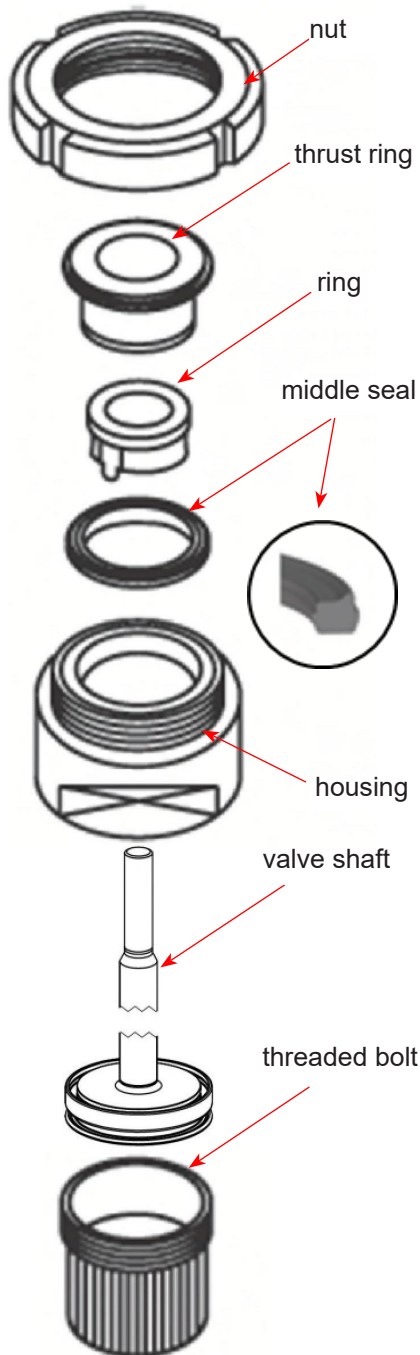
The adjustment of the proximity switch has to be done against the closing direction of the DT4 valve. First slide the proximity switch in closing direction until the signal of the proximity switch LED disappears. Then slowly slide against the closing direction. When the LED signal appears, shift another 0.08" (2 mm) to permit hysteresis and small variations.

Open valve position

The adjustment of the proximity switch has to be done against the opening direction of the DT4 valve. First slide the proximity switch in opening direction until the signal of the proximity switch LED disappears. Then slowly slide against the opening direction. When the LED signal appears, shift another 0.08" (2 mm) to permit hysteresis and small variations.

13. Assembly Instructions and Tools for Seals

fig. 13.1.



13.1. Middle seal

The assembly tool consists of:

- nut
- thrust ring
- ring with venting tip
- housing
- threaded bolt

Installation of the middle seal in the valve shaft

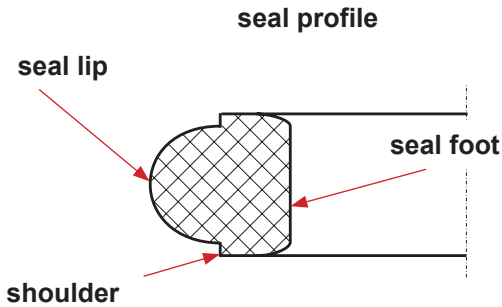
1. Insert the valve shaft into the housing making sure that the seal groove is in the housing.
2. Use the threaded bolt to clamp the shaft into the housing. Clamp the housing into a vice.
3. Slightly grease the middle seal with assembly grease. Then install the seal on the ring.
4. Insert the ring with the installed seal into the housing. Make sure that the venting tip is positioned in the seal groove.
5. Insert the thrust ring around the ring in the housing. Screw on the nut and tighten it with a hook spanner until it stops.
6. Release the nut. Take the ring and thrust ring off the housing.
7. Take the housing out of the vice. Take off the threaded bolt. Detach the valve shaft from the housing.

Make sure the middle seal fits evenly.

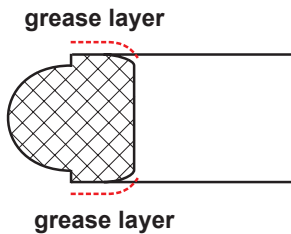
Assembly tool for middle seal		
Size	Designation	Part no.
1.5"	DA3 - 62	H207310
2"		
2.5"		
3"		
4"	DA3 - 92	H207311
6"	D4 - 138	H340823

13. Assembly Instructions and Tools for Seals

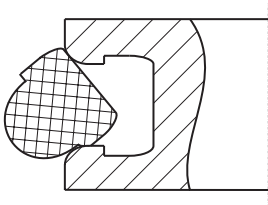
13.2. Seat seals



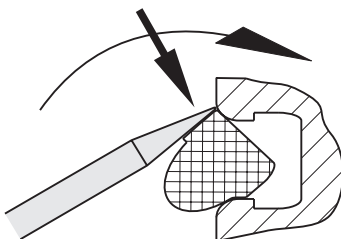
1. Provide the seal shoulder with a thin layer of grease.



2. Insert the seat seal into the valve shaft; see to an even inclined position of the seal.

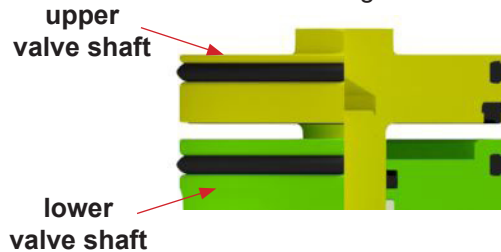


3. Press the seal circumferentially into the groove by means of an assembly tool (use screw driver with round edges). Place the assembly tool at the upper seal shoulder. To get an even fit of the seal, proceed step by step:

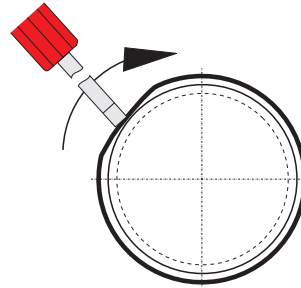


Caution!

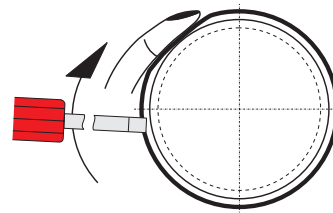
Shoulders of the seat seals must be placed evenly in the seal groove.



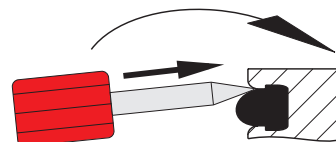
- 3.1. Press a short piece part of the seal into the groove.



- 3.2. Fix the seal - already pressed in - by your finger (to prevent loops). Use the assembly tool to press a short part of the seal into finger direction. Install the seal in the groove circumferences.



4. Press the assembly tool between the seal shoulder and the groove edge (both sides). Proceed around the circumferences. Then proceed around the circumferences of the lower seal shoulder. This is to vent the seal groove and to lock the seal shoulder.



Waukesha Cherry-Burrell brand DT4 SL / DP4 SL Valves

WCB_DT4SL-DP4SL_US-0_052021.indd

14. Trouble Shooting

Failure	Valve position		Required seal replacement
	closed	open	
Leakage at seat ring	x	x	tank flange seal (7) -> DT4 - only
Leakage at the lid of the drain housing	x	x	housing seal (12)
Leakage from the inside of the lower valve shaft		x	middle seal (9)
Leakage from the inside of the lower valve shaft	x		seat seals (8)
Leakage at the outside of the lower valve shaft (remove drain connection for this purpose)	x	x	shaft seal (13)

The position numbers refer to the spare parts drawings.

15. Spare Parts Lists

The reference numbers of the spare parts for the different valve sizes are included in the attached spare parts drawing with corresponding lists.

Please indicate the following data to place an order for spare parts:

- number of required parts
- reference number
- designation.

Data are subject to change.

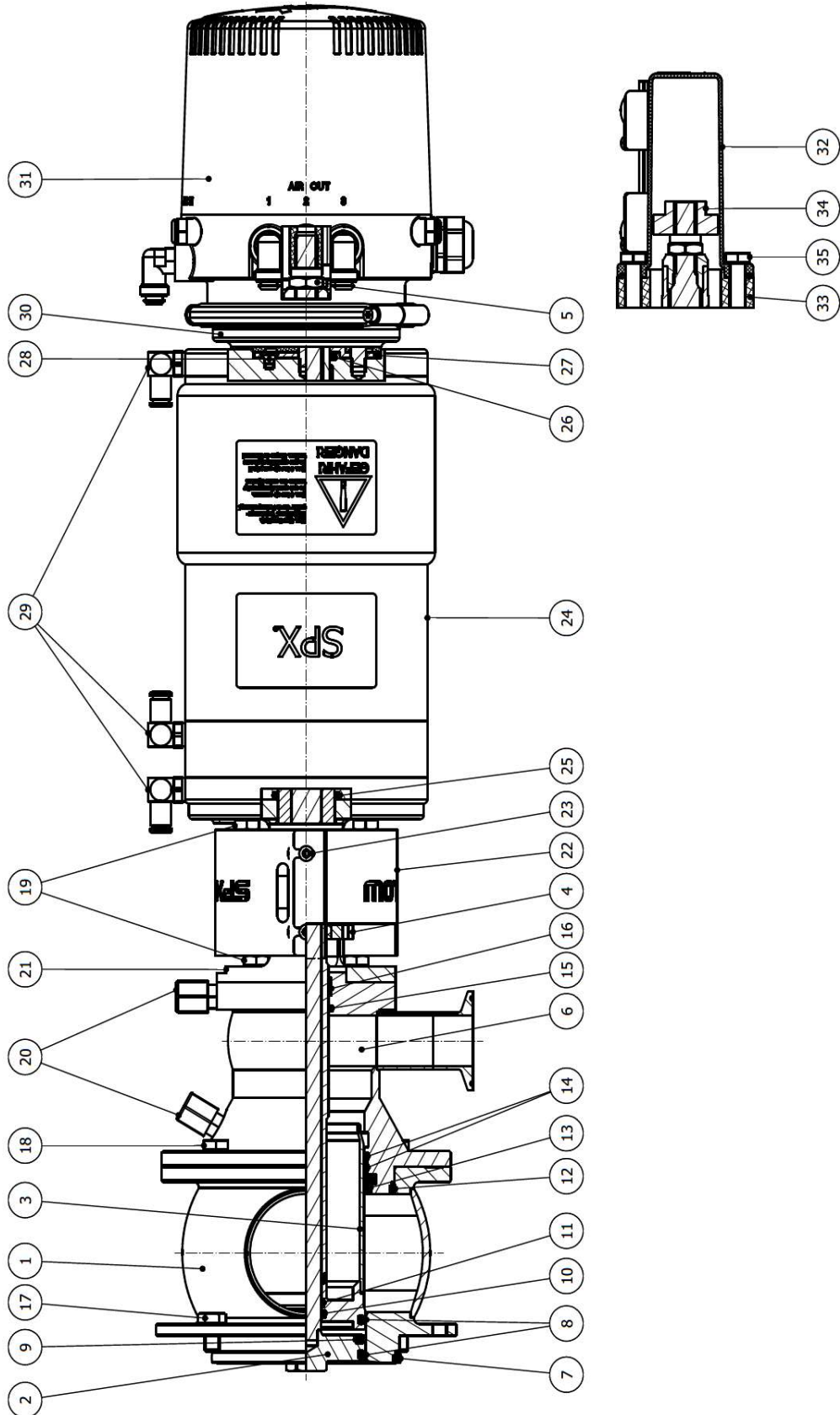
Information contained in this document is subject to change without notice and does not represent a commitment on the part of SPX FLOW, Inc.. No part of this document may be reproduced or transmitted in any form or by any means, electronic or mechanical, including photocopying and recording, for any purpose, without the express written permission of SPX FLOW, Inc..

Spare Parts list

Double seat tank outlet valve DT4 SL

Date:	02.12.20			SPX FLOW	
Name:	F. Trim.				
Reviewed:					
Date:				Page 1 of 12	
Name:					RN 501.100.01
Reviewed:					

Pos. 30/31 please refer to CU43 DT4 manual



Information contained in this document is subject to change without notice and does not represent a commitment on the part of SPX FLOW, Inc.. No part of this document may be reproduced or transmitted in any form or by any means, electronic or mechanical, including photocopying and recording, for any purpose, without the express written permission of SPX FLOW, Inc..

Spare parts list

Double seat tank outlet valve DT4 SL - 1,5"

Date: 02.12.20
 Name: F.Trim.
 Reviewed:

SPX FLOW

Page 2 of 12
 RN 501.100.01

pos. item	Quantity	Description, product contacted seals with reference number	included in spare parts (pos.)	Material	Part no.	pos. item	Quantity	Description, product contacted seals with reference number	included in spare parts (pos.)	Material	Part no.	
1	1	Valve housing DT42-1,5"		1.4404	H342128	20	2	G-union 8x1-G1/8"		PVDF-black	H16388	
2	1	Upper shaft DT4-40, 1,5"		1.4404	H342173	21	1	Yoke DT4-62		1.4305	H339438	
3	1	Lower shaft DT4-40, 1,5"		1.4404	H342232	22	2	Yoke cover DT4-62		1.4301	H336654	
4	1	Counter ring for lower shaft		1.4523	H339454	23	4	Savetix captive hex screw M4x8 + washer as set		A2-70	H336707	
5	1	Hexagon nut M12 self locking		A2-70	H112376	24	1	Actuator DT4-125-28	25, 26, 27, 28	1.4301	H342255	
6	1	Drain housing DT4-62		1.4404	H339434	25	1	O-ring		NBR	H77107	
7	1	Tank flange seal 58-33-990 / 93		EPDM	H341800	26	1	Quad ring		NBR	H342532	
8	2	Tank flange seal 58-33-990 / 33		HNBR	H341801	27	1	lower lid actuator insert		1.4301	H342729	
9	1	Tank flange seal 58-33-990 / 73		FPM	H341802	28	2	countersunk screw M5x8		A2-70	H173206	
10	2	Seat seal 58-33-132 / 93		EPDM	H168192	29	3	W-union G1/8" Ø6mm		hard nickel plated	H208825	
11	2	Seat seal 58-33-132 / 33		HNBR	H171561	30	1	CU4-S adapter cmpl.		PA6.6 GF30 black	H320474	
12	2	Seat seal 58-33-132 / 71		FPM	H326493	31	1	CU4plus-DT4-62-adapter cmpl.	Control Units see on page 12	PA6.6 GF30 black	H343619	
13	1	Middle seal 58-33-998 / 93		EPDM	H327602	32	1	Prox. Switch holder SW4 cmpl.		PA6.6 GF30 black	H173931	
14	1	Middle seal 58-33-998 / 33		HNBR	H332652	33	1	Adapter DT4 VSM HSG		PA6.6 GF30 black	H343028	
15	1	Middle seal 58-33-998 / 73		FPM	H332653	34	1	Operating cam SW4		1.4523	H173087	
16	1	Quad ring		EPDM	H339798	35	4	Hexagon srew M8x35		A2-70	H78791	
17	1	Guide ring		Acoflon M 100 / TFM 1610	H339759							
18	1	Housing seal 58-33-567 / 93		EPDM	H77558							
19	1	Housing seal 58-33-567 / 33		HNBR	H170013							
20	1	Housing seal 58-33-567 / 73		FPM	H77557							
21	1	Shaft seal 58-33-400 / 93		EPDM	H337476							
22	1	Shaft seal 58-33-400 / 33		HNBR	H337478							
23	1	Shaft seal 58-33-400 / 73		FPM	H337477							
24	2	Piston ring		Iglidur A500	H334863							
25	1	Quad ring		EPDM	H339467							
26	1	Guide band		Acoflon M 100 / TFM 1610	H339468							
27	4	Hexagon srew M8x14		A2-70	H78768							
28	4	Hexagon srew M8x16		A2-70	H78772							
29	8	Hexagon srew M8x16		A2-70	H78772							
<p>Pos. 7, 8, 9, 10, 11, 12, 13, 14, 15, 16 available as complete seal kits only</p>												
										Seal kit	EPDM	H343401
										Seal kit	HNBR	H343402
										Seal kit	FPM	H343403

Information contained in this document is subject to change without notice and does not represent a commitment on the part of SPX FLOW, Inc.. No part of this document may be reproduced or transmitted in any form or by any means, electronic or mechanical, including photocopying and recording, for any purpose, without the express written permission of SPX FLOW, Inc..

Spare parts list

Double seat tank outlet valve DT4 SL - DN40

Date:	02.12.20
Name:	F.Trim.
Reviewed:	
Date:	
Name:	
Reviewed:	

SPX FLOW

pos. item	Quantity	Description, product contacted seals with reference number	included in spare parts (pos.)	Material	Part no.
1	1	Valve housing DT42-40		1.4404	H342124
2	1	Upper shaft DT4-40, 1,5"		1.4404	H342173
3	1	Lower shaft DT4-40, 1,5"		1.4404	H342232
4	1	Counter ring for lower shaft		1.4523	H339454
5	1	Hexagon nut M12 self locking		A2-70	H112376
6	1	Drain housing DT4-62		1.4404	H339434
7	1	Tank flange seal 58-33-990 / 93		EPDM	H341800
	1	Tank flange seal 58-33-990 / 33		HNBR	H341801
	1	Tank flange seal 58-33-990 / 73		FPM	H341802
8	2	Seat seal 58-33-132 / 93		EPDM	H168192
	2	Seat seal 58-33-132 / 33		HNBR	H171561
9	2	Seat seal 58-33-132 / 71		FPM	H326493
	1	Middle seal 58-33-998 / 93		EPDM	H327602
	1	Middle seal 58-33-998 / 33		HNBR	H332652
10	1	Middle seal 58-33-998 / 73		FPM	H332653
	1	Quad ring		EPDM	H339798
11	1	Guide ring		Acoflon M 100 / TFM 1610	H339759
12	1	Housing seal 58-33-567 / 93		EPDM	H77558
	1	Housing seal 58-33-567 / 33		HNBR	H170013
	1	Housing seal 58-33-567 / 73		FPM	H77557
13	1	Shaft seal 58-33-400 / 93		EPDM	H337476
	1	Shaft seal 58-33-400 / 33		HNBR	H337478
	1	Shaft seal 58-33-400 / 73		FPM	H337477
14	2	Piston ring		Iglidur A500	H334863
15	1	Quad ring		EPDM	H339467
16	1	Guide band		Acoflon M 100 / TFM 1610	H339468
17	4	Hexagon srew M8x14		A2-70	H78768
18	4	Hexagon srew M8x16		A2-70	H78772
19	8	Hexagon srew M8x16		A2-70	H78772
20	2	G-union 8x1-G1/8"		PVDF-black	H16388
21	1	Yoke DT4-62		1.4305	H339438
22	2	Yoke cover DT4-62		1.4301	H336654
23	4	Savetix captive hex screw M4x8 + washer as set		A2-70	H336707
24	1	Actuator DT4-125-28	25, 26, 27, 28	1.4301	H342255
25	1	O-ring		NBR	H77107
26	1	Quad ring		NBR	H342532
27	1	lower lid actuator insert		1.4301	H342729
28	2	countersunk screw M5x8		A2-70	H173206
29	3	W-union G1/8" Ø6mm		hard nickel plated	H208825
30	1	CU4-S adapter cmpl.		PA6.6 GF30 black	H320474
31	1	CU4plus-DT4-62-adapter cmpl.		PA6.6 GF30 black	H343619
32	1	Prox. Switch holder SW4 cmpl.		Control Units see on page 12	
33	1	Adapter DT4 VSM HSG		PA6.6 GF30 black	H173931
34	1	Operating cam SW4		PA6.6 GF30 black	H343028
35	4	Hexagon srew M8x35		1.4523	H173087
				A2-70	H78791
<p>Pos. 7, 8, 9, 10, 11, 12, 13, 14, 15, 16 available as complete seal kits only</p>					
		Seal kit		EPDM	H343401
		Seal kit		HNBR	H343402
		Seal kit		FPM	H343403

Information contained in this document is subject to change without notice and does not represent a commitment on the part of SPX FLOW, Inc.. No part of this document may be reproduced or transmitted in any form or by any means, electronic or mechanical, including photocopying and recording, for any purpose, without the express written permission of SPX FLOW, Inc..

Spare parts list

Double seat tank outlet valve DT4 SL - DN50

Date:	02.12.20
Name:	F.Trim.
Reviewed:	
Date:	
Name:	
Reviewed:	

SPX FLOW

Page 4 of 12
RN 501.100.01

pos. item	Quantity	Description, product contacted seals with reference number	included in spare parts (pos.)	Material	Part no.
1	1	Valve housing DT42-50		1.4404	H342125
2	1	Upper shaft DT4-50, 2"		1.4404	H342174
3	1	Lower shaft DT4-50, 2"		1.4404	H342233
4	1	Counter ring for lower shaft		1.4523	H339454
5	1	Hexagon nut M12 self locking		A2-70	H112376
6	1	Drain housing DT4-62		1.4404	H339434
7	1	Tank flange seal 58-33-990 / 93		EPDM	H341800
8	1	Tank flange seal 58-33-990 / 33		HNBR	H341801
9	1	Tank flange seal 58-33-990 / 73		FPM	H341802
10	2	Seat seal 58-33-132 / 93		EPDM	H168192
11	2	Seat seal 58-33-132 / 33		HNBR	H171561
12	2	Seat seal 58-33-132 / 71		FPM	H326493
13	1	Middle seal 58-33-998 / 93		EPDM	H327602
14	1	Middle seal 58-33-998 / 33		HNBR	H332652
15	1	Middle seal 58-33-998 / 73		FPM	H332653
16	1	Quad ring		EPDM	H339798
17	1	Guide ring		Acoflon M 100 / TFM 1610	H339759
18	1	Housing seal 58-33-567 / 93		EPDM	H77558
19	1	Housing seal 58-33-567 / 33		HNBR	H170013
20	1	Housing seal 58-33-567 / 73		FPM	H77557
21	1	Shaft seal 58-33-400 / 93		EPDM	H337476
22	1	Shaft seal 58-33-400 / 33		HNBR	H337478
23	1	Shaft seal 58-33-400 / 73		FPM	H337477
24	2	Piston ring		Iglidur A500	H334863
25	1	Quad ring		EPDM	H339467
26	1	Guide band		Acoflon M 100 / TFM 1610	H339468
27	4	Hexagon srew M8x14		A2-70	H78768
28	4	Hexagon srew M8x16		A2-70	H78772
29	8	Hexagon srew M8x16		A2-70	H78772
20	2	G-union 8x1-G1/8"		PVDF-black	H16388
21	1	Yoke DT4-62		1.4305	H339438
22	2	Yoke cover DT4-62		1.4301	H336654
23	4	Savetix captive hex screw M4x8 + washer as set		A2-70	H336707
24	1	Actuator DT4-125-40	25, 26, 27, 28	1.4301	H342256
25	1	O-ring		NBR	H77107
26	1	Quad ring		NBR	H342532
27	1	lower lid actuator insert		1.4301	H342729
28	2	countersunk screw M5x8		A2-70	H173206
29	3	W-union G1/8" Ø6mm		hard nickel plated	H208825
30	1	CU4-S adapter cmpl.		PA6.6 GF30 black	H320474
31	1	CU4plus-DT4-62-adapter cmpl.		PA6.6 GF30 black	H343619
32	1	Prox. Switch holder SW4 cmpl.		PA6.6 GF30 black	H173931
33	1	Adapter DT4 VSM HSG		PA6.6 GF30 black	H343028
34	1	Operating cam SW4		1.4523	H173087
35	4	Hexagon srew M8x35		A2-70	H78791
Control Units see on page 12					
Pos. 7, 8, 9, 10, 11, 12, 13, 14, 15, 16 available as complete seal kits only					
		Seal kit		EPDM	H343401
		Seal kit		HNBR	H343402
		Seal kit		FPM	H343403

Information contained in this document is subject to change without notice and does not represent a commitment on the part of SPX FLOW, Inc.. No part of this document may be reproduced or transmitted in any form or by any means, electronic or mechanical, including photocopying and recording, for any purpose, without the express written permission of SPX FLOW, Inc..

Spare parts list

Double seat tank outlet valve DT4 SL - 2"

Date: 02.12.20
 Name: F.Trim.
 Reviewed:

Date: _____
 Name: _____
 Reviewed: _____

Page 5 of 12
RN 501.100.01

SPX FLOW

pos. item	Quantity	Description, product contacted seals with reference number	included in spare parts (pos.)	Material	Part no.
1	1	Valve housing DT42-2"		1.4404	H342129
2	1	Upper shaft DT4-50, 2"		1.4404	H342174
3	1	Lower shaft DT4-50, 2"		1.4404	H342233
4	1	Counter ring for lower shaft		1.4523	H339454
5	1	Hexagon nut M12 self locking		A2-70	H112376
6	1	Drain housing DT4-62		1.4404	H339434
7	1	Tank flange seal 58-33-990 / 93		EPDM	H341800
8	1	Tank flange seal 58-33-990 / 33		HNBR	H341801
9	1	Tank flange seal 58-33-990 / 73		FPM	H341802
10	2	Seat seal 58-33-132 / 93		EPDM	H168192
11	2	Seat seal 58-33-132 / 33		HNBR	H171561
12	2	Seat seal 58-33-132 / 71		FPM	H326493
13	1	Middle seal 58-33-998 / 93		EPDM	H327602
14	1	Middle seal 58-33-998 / 33		HNBR	H332652
15	1	Middle seal 58-33-998 / 73		FPM	H332653
16	1	Quad ring		EPDM	H339798
17	1	Guide ring		Acoflon M 100 / TFM 1610	H339759
18	1	Housing seal 58-33-567 / 93		EPDM	H77558
19	1	Housing seal 58-33-567 / 33		HNBR	H170013
20	1	Housing seal 58-33-567 / 73		FPM	H77557
21	1	Shaft seal 58-33-400 / 93		EPDM	H337476
22	1	Shaft seal 58-33-400 / 33		HNBR	H337478
23	1	Shaft seal 58-33-400 / 73		FPM	H337477
24	2	Piston ring		Iglidur A500	H334863
25	1	Quad ring		EPDM	H339467
26	1	Guide band		Acoflon M 100 / TFM 1610	H339468
27	4	Hexagon srew M8x14		A2-70	H78768
28	4	Hexagon srew M8x16		A2-70	H78772
29	8	Hexagon srew M8x16		A2-70	H78772

pos. item	Quantity	Description, product contacted seals with reference number	included in spare parts (pos.)	Material	Part no.
20	2	G-union 8x1-G1/8"		PVDF-black	H16388
21	1	Yoke DT4-62		1.4305	H339438
22	2	Yoke cover DT4-62		1.4301	H336654
23	4	Savetix captive hex screw M4x8 + washer as set		A2-70	H336707
24	1	Actuator DT4-125-40	25, 26, 27, 28	1.4301	H342256
25	1	O-ring		NBR	H77107
26	1	Quad ring		NBR	H342532
27	1	lower lid actuator insert		1.4301	H342729
28	2	countersunk screw M5x8		A2-70	H173206
29	3	W-union G1/8" Ø6mm		hard nickel plated	H208825
30	1	CU4-S adapter cmpl.		PA6.6 GF30 black	H320474
31	1	CU4plus-DT4-62-adapter cmpl.		PA6.6 GF30 black	H343619
32	1	Prox. Switch holder SW4 cmpl.		Control Units see on page 12	
33	1	Adapter DT4 VSM HSG		PA6.6 GF30 black	H173931
34	1	Operating cam SW4		PA6.6 GF30 black	H343028
35	4	Hexagon srew M8x35		1.4523	H173087
				A2-70	H78791

pos. item	Quantity	Description, product contacted seals with reference number	included in spare parts (pos.)	Material	Part no.
				Pos. 7, 8, 9, 10, 11, 12, 13, 14, 15, 16 available as complete seal kits only	
				EPDM	H343401
				HNBR	H343402
				FPM	H343403

Information contained in this document is subject to change without notice and does not represent a commitment on the part of SPX FLOW, Inc.. No part of this document may be reproduced or transmitted in any form or by any means, electronic or mechanical, including photocopying and recording, for any purpose, without the express written permission of SPX FLOW, Inc..

Spare parts list

Double seat tank outlet valve DT4 SL - 2,5"

Date: 02.12.20
 Name: F.Trim.
 Reviewed:

Date: _____
 Name: _____
 Reviewed: _____

SPX FLOW

pos. item	Quantity	Description, product contacted seals with reference number	included in spare parts (pos.)	Material	Part no.	pos. item	Quantity	Description, product contacted seals with reference number	included in spare parts (pos.)	Material	Part no.
1	1	Valve housing DT42-2,5"		1.4404	H342130	20	2	G-union 8x1-G1/8"		PVDF-black	H16388
2	1	Upper shaft DT4-2,5"		1.4404	H342177	21	1	Yoke DT4-62		1.4305	H339438
3	1	Lower shaft DT4-2,5"		1.4404	H342236	22	2	Yoke cover DT4-62		1.4301	H336654
4	1	Counter ring for lower shaft		1.4523	H339454	23	4	Savetix captive hex screw M4x8 + washer as set		A2-70	H336707
5	1	Hexagon nut M12 self locking		A2-70	H112376	24	1	Actuator DT4-125-50	25, 26, 27, 28	1.4301	H339440
6	1	Drain housing DT4-62		1.4404	H339434	25	1	O-ring		NBR	H77107
7	1	Tank flange seal 58-33-990 / 93		EPDM	H341800	26	1	Quad ring		NBR	H342532
8	2	Tank flange seal 58-33-990 / 33		HNBR	H341801	27	1	lower lid actuator insert		1.4301	H342729
9	1	Tank flange seal 58-33-990 / 73		FPM	H341802	28	2	countersunk screw M5x8		A2-70	H173206
10	2	Seat seal 58-33-132 / 93		EPDM	H168192	29	3	W-union G1/8" Ø6mm		hard nickel plated	H208825
11	2	Seat seal 58-33-132 / 33		HNBR	H171561	30	1	CU4-S adapter cmpl.		PA6.6 GF30 black	H320474
12	2	Seat seal 58-33-132 / 71		FPM	H326493	31	1	CU4plus-DT4-62-adapter cmpl.	Control Units see on page 12	PA6.6 GF30 black	H343619
13	1	Middle seal 58-33-998 / 93		EPDM	H327602	32	1	Prox. Switch holder SW4 cmpl.		PA6.6 GF30 black	H173931
14	1	Middle seal 58-33-998 / 33		HNBR	H332652	33	1	Adapter DT4 VSM HSG		PA6.6 GF30 black	H343028
15	1	Middle seal 58-33-998 / 73		FPM	H332653	34	1	Operating cam SW4		1.4523	H173087
16	1	Quad ring		EPDM	H339798	35	4	Hexagon srew M8x35		A2-70	H78791
17	1	Guide ring		Acoflon M 100 / TFM 1610	H339759						
18	1	Housing seal 58-33-567 / 93		EPDM	H77558						
19	1	Housing seal 58-33-567 / 33		HNBR	H170013						
20	1	Housing seal 58-33-567 / 73		FPM	H77557						
21	1	Shaft seal 58-33-400 / 93		EPDM	H337476						
22	1	Shaft seal 58-33-400 / 33		HNBR	H337478						
23	1	Shaft seal 58-33-400 / 73		FPM	H337477						
24	2	Piston ring		Iglidur A500	H334863						
25	1	Quad ring		EPDM	H339467						
26	1	Guide band		Acoflon M 100 / TFM 1610	H339468						
27	4	Hexagon srew M8x14		A2-70	H78768						
28	4	Hexagon srew M8x16		A2-70	H78772						
29	8	Hexagon srew M8x16		A2-70	H78772						

Pos. 7, 8, 9, 10, 11, 12, 13, 14, 15, 16 available as complete seal kits only

Seal kit	EPDM	H343401
Seal kit	HNBR	H343402
Seal kit	FPM	H343403

Information contained in this document is subject to change without notice and does not represent a commitment on the part of SPX FLOW, Inc.. No part of this document may be reproduced or transmitted in any form or by any means, electronic or mechanical, including photocopying and recording, for any purpose, without the express written permission of SPX FLOW, Inc..

Spare parts list

Double seat tank outlet valve DT4 SL - DN65

Date: 02.12.20
 Name: F.Trim.
 Reviewed:
 Date:
 Name:
 Reviewed:

SPX FLOW
 Page 7 of 12
 RN 501.100.01

pos. item	Quantity	Description, product contacted seals with reference number	included in spare parts (pos.)	Material	Part no.
1	1	Valve housing DT42-65		1.4404	H339424
2	1	Upper shaft DT4-65		1.4404	H339427
3	1	Lower shaft DT4-65		1.4404	H339430
4	1	Counter ring for lower shaft		1.4523	H339454
5	1	Hexagon nut M12 self locking		A2-70	H112376
6	1	Drain housing DT4-62		1.4404	H339434
7	1	Tank flange seal 58-33-990 / 93		EPDM	H341800
	1	Tank flange seal 58-33-990 / 33		HNBR	H341801
	1	Tank flange seal 58-33-990 / 73		FPM	H341802
8	2	Seat seal 58-33-132 / 93		EPDM	H168192
	2	Seat seal 58-33-132 / 33		HNBR	H171561
9	2	Seat seal 58-33-132 / 71		FPM	H326493
	1	Middle seal 58-33-998 / 93		EPDM	H327602
	1	Middle seal 58-33-998 / 33		HNBR	H332652
10	1	Middle seal 58-33-998 / 73		FPM	H332653
	1	Quad ring		EPDM	H339798
11	1	Guide ring		Acoflon M 100 / TFM 1610	H339759
12	1	Housing seal 58-33-567 / 93		EPDM	H77558
	1	Housing seal 58-33-567 / 33		HNBR	H170013
	1	Housing seal 58-33-567 / 73		FPM	H77557
13	1	Shaft seal 58-33-400 / 93		EPDM	H337476
	1	Shaft seal 58-33-400 / 33		HNBR	H337478
	1	Shaft seal 58-33-400 / 73		FPM	H337477
14	2	Piston ring		Iglidur A500	H334863
15	1	Quad ring		EPDM	H339467
16	1	Guide band		Acoflon M 100 / TFM 1610	H339468
17	4	Hexagon srew M8x14		A2-70	H78768
18	4	Hexagon srew M8x16		A2-70	H78772
19	8	Hexagon srew M8x16		A2-70	H78772
20	2	G-union 8x1-G1/8"		PVDF-black	H16388
21	1	Yoke DT4-62		1.4305	H339438
22	2	Yoke cover DT4-62		1.4301	H336654
23	4	Savetix captive hex screw M4x8 + washer as set		A2-70	H336707
24	1	Actuator DT4-125-50	25, 26, 27, 28	1.4301	H339440
25	1	O-ring		NBR	H77107
26	1	Quad ring		NBR	H342532
27	1	lower lid actuator insert		1.4301	H342729
28	2	countersunk screw M5x8		A2-70	H173206
29	3	W-union G1/8" Ø6mm		hard nickel plated	H208825
30	1	CU4-S adapter cmpl.		PA6.6 GF30 black	H320474
31	1	CU4plus-DT4-62-adapter cmpl.		PA6.6 GF30 black	H343619
32	1	Prox. Switch holder SW4 cmpl.		Control Units see on page 12	
33	1	Adapter DT4 VSM HSG		PA6.6 GF30 black	H173931
34	1	Operating cam SW4		PA6.6 GF30 black	H343028
35	4	Hexagon srew M8x35		1.4523	H173087
				A2-70	H78791
<p>Pos. 7, 8, 9, 10, 11, 12, 13, 14, 15, 16 available as complete seal kits only</p>					
		Seal kit		EPDM	H343401
		Seal kit		HNBR	H343402
		Seal kit		FPM	H343403

Information contained in this document is subject to change without notice and does not represent a commitment on the part of SPX FLOW, Inc.. No part of this document may be reproduced or transmitted in any form or by any means, electronic or mechanical, including photocopying and recording, for any purpose, without the express written permission of SPX FLOW, Inc..

Spare parts list

Double seat tank outlet valve DT4 SL - 3"

Date: 02.12.20
 Name: F.Trim.
 Reviewed:

Date: _____
 Name: _____
 Reviewed: _____

Page 8 of 12
RN 501.100.01

SPX FLOW

pos. item	Quantity	Description, product contacted seals with reference number	included in spare parts (pos.)	Material	Part no.
1	1	Valve housing DT42-3"		1.4404	H342131
2	1	Upper shaft DT4-3"		1.4404	H342178
3	1	Lower shaft DT4-3"		1.4404	H342237
4	1	Counter ring for lower shaft		1.4523	H339454
5	1	Hexagon nut M12 self locking		A2-70	H112376
6	1	Drain housing DT4-62		1.4404	H339434
7	1	Tank flange seal 58-33-990 / 93		EPDM	H341800
	1	Tank flange seal 58-33-990 / 33		HNBR	H341801
	1	Tank flange seal 58-33-990 / 73		FPM	H341802
8	2	Seat seal 58-33-132 / 93		EPDM	H168192
	2	Seat seal 58-33-132 / 33		HNBR	H171561
9	2	Seat seal 58-33-132 / 71		FPM	H326493
	1	Middle seal 58-33-998 / 93		EPDM	H327602
	1	Middle seal 58-33-998 / 33		HNBR	H332652
10	1	Middle seal 58-33-998 / 73		FPM	H332653
	1	Quad ring		EPDM	H339798
11	1	Guide ring		Acoflon M 100 / TFM 1610	H339759
12	1	Housing seal 58-33-567 / 93		EPDM	H77558
	1	Housing seal 58-33-567 / 33		HNBR	H170013
	1	Housing seal 58-33-567 / 73		FPM	H77557
13	1	Shaft seal 58-33-400 / 93		EPDM	H337476
	1	Shaft seal 58-33-400 / 33		HNBR	H337478
	1	Shaft seal 58-33-400 / 73		FPM	H337477
14	2	Piston ring		Iglidur A500	H334863
15	1	Quad ring		EPDM	H339467
16	1	Guide band		Acoflon M 100 / TFM 1610	H339468
17	4	Hexagon srew M8x14		A2-70	H78768
18	4	Hexagon srew M8x16		A2-70	H78772
19	8	Hexagon srew M8x16		A2-70	H78772
20	2	G-union 8x1-G1/8"		PVDF-black	H16388
21	1	Yoke DT4-62		1.4305	H339438
22	2	Yoke cover DT4-62		1.4301	H336654
23	4	Savetix captive hex screw M4x8 + washer as set		A2-70	H336707
24	1	Actuator DT4-125-50	25, 26, 27, 28	1.4301	H339440
25	1	O-ring		NBR	H77107
26	1	Quad ring		NBR	H342532
27	1	lower lid actuator insert		1.4301	H342729
28	2	countersunk screw M5x8		A2-70	H173206
29	3	W-union G1/8" Ø6mm		hard nickel plated	H208825
30	1	CU4-S adapter cmpl.		PA6.6 GF30 black	H320474
31	1	CU4plus-DT4-62-adapter cmpl.		PA6.6 GF30 black	H343619
32	1	Prox. Switch holder SW4 cmpl.		Control Units see on page 12	
33	1	Adapter DT4 VSM HSG		PA6.6 GF30 black	H173931
34	1	Operating cam SW4		PA6.6 GF30 black	H343028
35	4	Hexagon srew M8x35		1.4523	H173087
				A2-70	H78791
<p>Pos. 7, 8, 9, 10, 11, 12, 13, 14, 15, 16 available as complete seal kits only</p>					
		Seal kit		EPDM	H343401
		Seal kit		HNBR	H343402
		Seal kit		FPM	H343403

Information contained in this document is subject to change without notice and does not represent a commitment on the part of SPX FLOW, Inc.. No part of this document may be reproduced or transmitted in any form or by any means, electronic or mechanical, including photocopying and recording, for any purpose, without the express written permission of SPX FLOW, Inc..

Spare parts list

Double seat tank outlet valve DT4 SL - DN80

Date:	02.12.20
Name:	F.Trim.
Reviewed:	
Date:	
Name:	
Reviewed:	

SPX FLOW

pos. item	Quantity	Description, product contacted seals with reference number	included in spare parts (pos.)	Material	Part no.
1	1	Valve housing DT42-80		1.4404	H342126
2	1	Upper shaft DT4-80		1.4404	H342175
3	1	Lower shaft DT4-80		1.4404	H342234
4	1	Counter ring for lower shaft		1.4523	H339454
5	1	Hexagon nut M12 self locking		A2-70	H112376
6	1	Drain housing DT4-92		1.4404	H342251
7	1	Tank flange seal 58-33-991 / 93		EPDM	H342770
8	1	Tank flange seal 58-33-991 / 33		HNBR	H342769
9	1	Tank flange seal 58-33-991 / 73		FPM	H342768
10	2	Seat seal 58-33-133 / 93		EPDM	H168153
11	2	Seat seal 58-33-133 / 33		HNBR	H171565
12	2	Seat seal 58-33-133 / 71		FPM	H326494
13	1	Middle seal 58-33-997 / 93		EPDM	H327985
14	1	Middle seal 58-33-997 / 33		HNBR	H332649
15	1	Middle seal 58-33-997 / 73		FPM	H332648
16	1	Quad ring		EPDM	H339798
17	1	Guide ring		Acoflon M 100 / TFM 1610	H339759
18	1	Housing seal 58-33-642 / 93		EPDM	H77583
19	1	Housing seal 58-33-642 / 33		HNBR	H170074
20	1	Housing seal 58-33-642 / 73		FPM	H77582
21	1	Shaft seal 58-33-405 / 93		EPDM	H337668
22	1	Shaft seal 58-33-405 / 33		HNBR	H337670
23	1	Shaft seal 58-33-405 / 73		FPM	H337669
24	2	Piston ring		Iglidur A500	H335702
25	1	Quad ring		EPDM	H339467
26	1	Guide band		Acoflon M 100 / TFM 1610	H339468
27	4	Hexagon srew M10x14		A2-70	H78805
28	4	Hexagon srew M10x16		A2-70	H78806
29	8	Hexagon srew M8x16		A2-70	H78772

pos. item	Quantity	Description, product contacted seals with reference number	included in spare parts (pos.)	Material	Part no.
20	2	G-union 8x1-G1/8"		PVDF-black	H16388
21	1	Yoke DT4-92		1.4305	H342254
22	2	Yoke cover DT4-92		1.4301	H342716
23	4	Savetix captive hex screw M4x8 + washer as set		A2-70	H336707
24	1	Actuator DT4-180-60	25, 26, 27, 28	1.4301	H342717
25	1	O-ring		NBR	H77107
26	1	Quad ring		NBR	H342532
27	1	lower lid actuator insert		1.4301	H342729
28	2	countersunk screw M5x8		A2-70	H173206
29	3	W-union G1/8" Ø6mm		hard nickel plated	H208825
30	1	CU4-S adapter cmpl.		PA6.6 GF30 black	H320474
31	1	CU4plus-DT4-92-adapter cmpl.		PA6.6 GF30 black	H343620
32	1	Prox. Switch holder SW4 cmpl.		Control Units see on page 12	
33	1	Adapter DT4 VSM HSG		PA6.6 GF30 black	H173931
34	1	Operating cam SW4		PA6.6 GF30 black	H343028
35	4	Hexagon srew M8x35		1.4523	H173087
				A2-70	H78791

Pos. 7, 8, 9, 10, 11, 12, 13, 14, 15, 16 available as complete seal kits only					
		Seal kit		EPDM	H343404
		Seal kit		HNBR	H343405
		Seal kit		FPM	H343406

Information contained in this document is subject to change without notice and does not represent a commitment on the part of SPX FLOW, Inc.. No part of this document may be reproduced or transmitted in any form or by any means, electronic or mechanical, including photocopying and recording, for any purpose, without the express written permission of SPX FLOW, Inc..

Spare parts list

Double seat tank outlet valve DT4 SL - DN100

Date: 02.12.20
 Name: F.Trim.
 Reviewed:

Page 10 of 12
RN 501.100.01

SPX FLOW

pos. item	Quantity	Description, product contacted seals with reference number	included in spare parts (pos.)	Material	Part no.
1	1	Valve housing DT42-100		1.4404	H342127
2	1	Upper shaft DT4-100, 4"		1.4404	H342176
3	1	Lower shaft DT4-100, 4"		1.4404	H342235
4	1	Counter ring for lower shaft		1.4523	H339454
5	1	Hexagon nut M12 self locking		A2-70	H112376
6	1	Drain housing DT4-92		1.4404	H342251
7	1	Tank flange seal 58-33-991 / 93		EPDM	H342770
	1	Tank flange seal 58-33-991 / 33		HNBR	H342769
	1	Tank flange seal 58-33-991 / 73		FPM	H342768
8	2	Seat seal 58-33-133 / 93		EPDM	H168153
	2	Seat seal 58-33-133 / 33		HNBR	H171565
9	2	Seat seal 58-33-133 / 71		FPM	H326494
	1	Middle seal 58-33-997 / 93		EPDM	H327985
	1	Middle seal 58-33-997 / 33		HNBR	H332649
10	1	Middle seal 58-33-997 / 73		FPM	H332648
	1	Quad ring		EPDM	H339798
	1	Guide ring		Acoflon M 100 / TFM 1610	H339759
12	1	Housing seal 58-33-642 / 93		EPDM	H77583
	1	Housing seal 58-33-642 / 33		HNBR	H170074
	1	Housing seal 58-33-642 / 73		FPM	H77582
13	1	Shaft seal 58-33-405 / 93		EPDM	H337668
	1	Shaft seal 58-33-405 / 33		HNBR	H337670
	1	Shaft seal 58-33-405 / 73		FPM	H337669
14	2	Piston ring		Iglidur A500	H335702
15	1	Quad ring		EPDM	H339467
16	1	Guide band		Acoflon M 100 / TFM 1610	H339468
17	4	Hexagon srew M10x14		A2-70	H78805
18	4	Hexagon srew M10x16		A2-70	H78806
19	8	Hexagon srew M8x16		A2-70	H78772

pos. item	Quantity	Description, product contacted seals with reference number	included in spare parts (pos.)	Material	Part no.
20	2	G-union 8x1-G1/8"		PVDF-black	H16388
21	1	Yoke DT4-92		1.4305	H342254
22	2	Yoke cover DT4-92		1.4301	H342716
23	4	Savetix captive hex screw M4x8 + washer as set		A2-70	H336707
24	1	Actuator DT4-180-60	25, 26, 27, 28	1.4301	H342717
25	1	O-ring		NBR	H77107
26	1	Quad ring		NBR	H342532
27	1	lower lid actuator insert		1.4301	H342729
28	2	countersunk screw M5x8		A2-70	H173206
29	3	W-union G1/8" Ø6mm		hard nickel plated	H208825
30	1	CU4-S adapter cmpl.		PA6.6 GF30 black	H320474
31	1	CU4plus-DT4-92-adapter cmpl.		PA6.6 GF30 black	H343620
32	1	Prox. Switch holder SW4 cmpl.		Control Units see on page 12	
33	1	Adapter DT4 VSM HSG		PA6.6 GF30 black	H173931
34	1	Operating cam SW4		PA6.6 GF30 black	H343028
35	4	Hexagon srew M8x35		1.4523	H173087
				A2-70	H78791

Pos. 7, 8, 9, 10, 11, 12, 13, 14, 15, 16 available as complete seal kits only					
		Seal kit		EPDM	H343404
		Seal kit		HNBR	H343405
		Seal kit		FPM	H343406

Information contained in this document is subject to change without notice and does not represent a commitment on the part of SPX FLOW, Inc.. No part of this document may be reproduced or transmitted in any form or by any means, electronic or mechanical, including photocopying and recording, for any purpose, without the express written permission of SPX FLOW, Inc..

Spare parts list

Double seat tank outlet valve DT4 SL - 4"

Date:	02.12.20
Name:	F.Trim.
Reviewed:	
Date:	
Name:	
Reviewed:	

SPX FLOW

Page 11 of 12
RN 501.100.01

pos. item	Quantity	Description, product contacted seals with reference number	included in spare parts (pos.)	Material	Part no.
1	1	Valve housing DT42-4"		1.4404	H342132
2	1	Upper shaft DT4-100, 4"		1.4404	H342176
3	1	Lower shaft DT4-100, 4"		1.4404	H342235
4	1	Counter ring for lower shaft		1.4523	H339454
5	1	Hexagon nut M12 self locking		A2-70	H112376
6	1	Drain housing DT4-92		1.4404	H342251
7	1	Tank flange seal 58-33-991 / 93		EPDM	H342770
7	1	Tank flange seal 58-33-991 / 33		HNR	H342769
7	1	Tank flange seal 58-33-991 / 73		FPM	H342768
8	2	Seat seal 58-33-133 / 93		EPDM	H168153
8	2	Seat seal 58-33-133 / 33		HNR	H171565
8	2	Seat seal 58-33-133 / 71		FPM	H326494
9	1	Middle seal 58-33-997 / 93		EPDM	H327985
9	1	Middle seal 58-33-997 / 33		HNR	H332649
9	1	Middle seal 58-33-997 / 73		FPM	H332648
10	1	Quad ring		EPDM	H339798
11	1	Guide ring		Acoflon M 100 / TFM 1610	H339759
12	1	Housing seal 58-33-642 / 93		EPDM	H77583
12	1	Housing seal 58-33-642 / 33		HNR	H170074
12	1	Housing seal 58-33-642 / 73		FPM	H77582
13	1	Shaft seal 58-33-405 / 93		EPDM	H337668
13	1	Shaft seal 58-33-405 / 33		HNR	H337670
13	1	Shaft seal 58-33-405 / 73		FPM	H337669
14	2	Piston ring		Iglidur A500	H335702
15	1	Quad ring		EPDM	H339467
16	1	Guide band		Acoflon M 100 / TFM 1610	H339468
17	4	Hexagon srew M10x14		A2-70	H78805
18	4	Hexagon srew M10x16		A2-70	H78806
19	8	Hexagon srew M8x16		A2-70	H78772

pos. item	Quantity	Description, product contacted seals with reference number	included in spare parts (pos.)	Material	Part no.
20	2	G-union 8x1-G1/8"		PVDF-black	H16388
21	1	Yoke DT4-92		1.4305	H342254
22	2	Yoke cover DT4-92		1.4301	H342716
23	4	Savetix captive hex screw M4x8 + washer as set		A2-70	H336707
24	1	Actuator DT4-180-60	25, 26, 27, 28	1.4301	H342717
25	1	O-ring		NBR	H77107
26	1	Quad ring		NBR	H342532
27	1	lower lid actuator insert		1.4301	H342729
28	2	countersunk screw M5x8		A2-70	H173206
29	3	W-union G1/8" Ø6mm		hard nickel plated	H208825
30	1	CU4-S adapter cmpl.		PA6.6 GF30 black	H320474
31	1	CU4plus-DT4-92-adapter cmpl.		PA6.6 GF30 black	H343620
31	1	Control Units see on page 12			
32	1	Prox. Switch holder SW4 cmpl.		PA6.6 GF30 black	H173931
33	1	Adapter DT4 VSM HSG		PA6.6 GF30 black	H343028
34	1	Operating cam SW4		1.4523	H173087
35	4	Hexagon srew M8x35		A2-70	H78791

Pos. 7, 8, 9, 10, 11, 12, 13, 14, 15, 16 available as complete seal kits only					
		Seal kit		EPDM	H343404
		Seal kit		HNR	H343405
		Seal kit		FPM	H343406

Information contained in this document is subject to change without notice and does not represent a commitment on the part of SPX FLOW, Inc.. No part of this document may be reproduced or transmitted in any form or by any means, electronic or mechanical, including photocopying and recording, for any purpose, without the express written permission of SPX FLOW, Inc..

Spare parts list

Double seat tank outlet valve DT4 SL - Control Units

Date: 02.12.20 16.02.21
 Name: F.Trim. F.Trim.
 Reviewed:
 Date:
 Name:
 Reviewed:

SPX FLOW

Page 12 of 12
 RN 501.100.01

pos. item	Quantity	Description, product contacted seals with reference number	air connections	Material	Part no.
	1	CU43 DT4 Direct Connect	6 mm	PA6.6 GF30 black	H342432
	1	CU43 DT4 Direct Connect M12-8pin	6 mm	PA6.6 GF30 black	H342430
	1	CU43 DT4 AS-i extended	6 mm	PA6.6 GF30 black	H342428
	1	CU43 DT4 AS-i extended M12-4pin	6 mm	PA6.6 GF30 black	H342426
	1	CU43 DT4 Direct Connect	1/4" OD	PA6.6 GF30 black	H342433
	1	CU43 DT4 Direct Connect M12-8pin	1/4" OD	PA6.6 GF30 black	H342431
	1	CU43 DT4 AS-i extended	1/4" OD	PA6.6 GF30 black	H342429
	1	CU43 DT4 AS-i extended M12-4pin	1/4" OD	PA6.6 GF30 black	H342427
31	1	CU43 plus DT4 Direct Connect	6 mm	PA6.6 GF30 black	H342454
	1	CU43 plus DT4 Direct Connect M12-8pin	6 mm	PA6.6 GF30 black	H342474
	1	CU43 plus DT4 AS-i extended	6 mm	PA6.6 GF30 black	H342423
	1	CU43 plus DT4 AS-i extended M12-4pin	6 mm	PA6.6 GF30 black	H342421
	1	CU43 plus DT4 Direct Connect	1/4" OD	PA6.6 GF30 black	H342455
	1	CU43 plus DT4 Direct Connect M12-8pin	1/4" OD	PA6.6 GF30 black	H342473
	1	CU43 plus DT4 AS-i extended	1/4" OD	PA6.6 GF30 black	H342424
	1	CU43 plus DT4 AS-i extended M12-4pin	1/4" OD	PA6.6 GF30 black	H342422

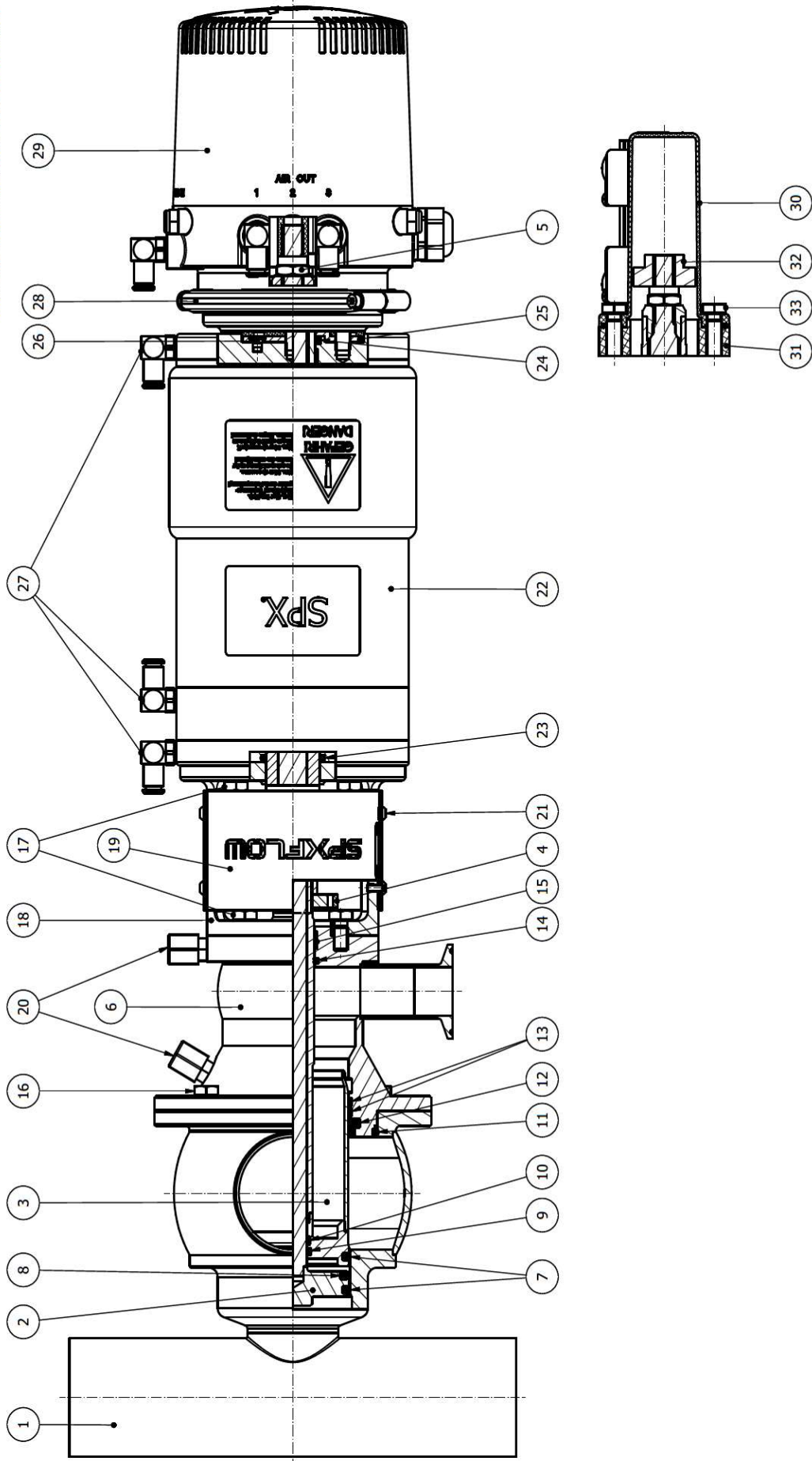
Information contained in this document is subject to change without notice and does not represent a commitment on the part of SPX FLOW, Inc.. No part of this document may be reproduced or transmitted in any form or by any means, electronic or mechanical, including photocopying and recording, for any purpose, without the express written permission of SPX FLOW, Inc..

Spare Parts list

Double seat piggable valve DP4 SL

Date:	22.02.21	SPX FLOW	
Name:	F. Trim.		
Reviewed:			
Date:		Page	1 of 12
Name:		RN 504.047.01	
Reviewed:			

Pos. 28/29 please refer to CU43 DT4 manual



Information contained in this document is subject to change without notice and does not represent a commitment on the part of SPX FLOW, Inc.. No part of this document may be reproduced or transmitted in any form or by any means, electronic or mechanical, including photocopying and recording, for any purpose, without the express written permission of SPX FLOW, Inc..

Spare parts list

Double seat piggable valve DP4 SL - 1,5"

Date: 22.02.21
 Name: F.Trim.
 Reviewed:

Date: _____
 Name: _____
 Reviewed: _____

Page 2 of 12
RN 504.047.01

SPX FLOW

pos. item	Quantity	Description, product contacted seals with reference number	included in spare parts (pos.)	Material	Part no.
1	1	Valve housing DP44-1,5"		1.4404	H342921
2	1	Valve housing DP42-1,5"		1.4404	on request
3	1	Upper shaft DT4-40, 1,5"		1.4404	H342173
4	1	Lower shaft DT4-40, 1,5"		1.4404	H342232
5	1	Counter ring for lower shaft		1.4523	H339454
6	1	Hexagon nut M12 self locking DT4-62		A2-70	H112376
7	2	Drain housing 58-33-132 / 93		1.4404	H339434
8	2	Seat seal 58-33-132 / 33		EPDM	H168192
9	2	Seat seal 58-33-132 / 71		HNBR	H171561
10	2	Seat seal 58-33-998 / 93		FPM	H326493
11	1	Middle seal 58-33-998 / 33		EPDM	H327602
12	1	Middle seal 58-33-998 / 73		HNBR	H332852
13	1	Quad ring		FPM	H332853
14	1	Guide ring		EPDM	H339798
15	1	Housing seal 58-33-567 / 93		Acoflon M 100 / TFM 1610	H339759
16	1	Housing seal 58-33-567 / 33		EPDM	H77558
17	1	Housing seal 58-33-567 / 73		HNBR	H170013
18	1	Shaft seal 58-33-400 / 93		FPM	H77557
19	1	Shaft seal 58-33-400 / 33		EPDM	H337476
20	1	Shaft seal 58-33-400 / 73		HNBR	H337478
21	2	Piston ring		FPM	H337477
22	2	Quad ring		Iglidur A500	H334863
23	1	Guide band		EPDM	H339467
24	4	Hexagon srew M8x16		Acoflon M 100 / TFM 1610	H339468
25	8	Hexagon srew M8x16		A2-70	H78772
26	1	Yoke DT4-62		A2-70	H78772
27	2	Yoke cover DT4-62		1.4305	H339438
28	2	G-union 8x1-G1/8"		1.4301	H336654
29	2			PVDF-black	H16388

pos. item	Quantity	Description, product contacted seals with reference number	included in spare parts (pos.)	Material	Part no.
21	4	Savetix captive hex screw M4x8 + washer as set		A2-70	H336707
22	1	Actuator DT4-125-28	23, 24, 25, 26	1.4301	H342255
23	1	O-ring		NBR	H77107
24	1	Quad ring		NBR	H342532
25	1	lower lid actuator insert		1.4301	H342729
26	2	countersunk screw M5x8		A2-70	H173206
27	3	W-union G1/8" Ø6mm		hard nickel plated	H208825
28	1	CU4-S adapter cmpl.		PA6.6 GF30 black	H320474
29	1	CU4plus-DT4-62-adapter cmpl.		PA6.6 GF30 black	H343619
30	1	Prox. Switch holder SW4 cmpl.		Control Units see on page 12	
31	1	Adapter DT4 VSM HSG		PA6.6 GF30 black	H173931
32	1	Operating cam SW4		PA6.6 GF30 black	H343028
33	4	Hexagon srew M8x35		1.4523	H173087
				A2-70	H78791

Pos. 7, 8, 9, 10, 11, 12, 13, 14, 15 available as complete seal kits only					
		Seal kit		EPDM	H344000
		Seal kit		HNBR	H344001
		Seal kit		FPM	H344002

Information contained in this document is subject to change without notice and does not represent a commitment on the part of SPX FLOW, Inc.. No part of this document may be reproduced or transmitted in any form or by any means, electronic or mechanical, including photocopying and recording, for any purpose, without the express written permission of SPX FLOW, Inc..

Spare parts list

Double seat piggyback valve DP4 SL - DN40

Date:	22.02.21						
Name:	F.Trim.						
Reviewed:							
Date:						Page	3 of 12
Name:						RN 504.047.01	
Reviewed:							

SPX FLOW

pos. item	Quantity	Description, product contacted seals with reference number	included in spare parts (pos.)	Material		Part no.	
1	1	Valve housing DP44-40		1.4404	H342906		
1	1	Valve housing DP42-40		1.4404	on request		
2	1	Upper shaft DT4-40, 1,5"		1.4404	H342173		
3	1	Lower shaft DT4-40, 1,5"		1.4404	H342232		
4	1	Counter ring for lower shaft		1.4523	H339454		
5	1	Hexagon nut M12 self locking		A2-70	H112376		
6	1	Drain housing DT4-62		1.4404	H339434		
7	2	Seat seal 58-33-132 / 93		EPDM	H168192		
7	2	Seat seal 58-33-132 / 33		HNBR	H171561		
7	2	Seat seal 58-33-132 / 71		FPM	H326493		
8	1	Middle seal 58-33-998 / 93		EPDM	H327602		
8	1	Middle seal 58-33-998 / 33		HNBR	H332852		
8	1	Middle seal 58-33-998 / 73		FPM	H332653		
9	1	Quad ring		EPDM	H339798		
10	1	Guide ring		Acoflon M 100 / TFM 1610	H339759		
11	1	Housing seal 58-33-567 / 93		EPDM	H77558		
11	1	Housing seal 58-33-567 / 33		HNBR	H170013		
11	1	Housing seal 58-33-567 / 73		FPM	H77557		
12	1	Shaft seal 58-33-400 / 93		EPDM	H337476		
12	1	Shaft seal 58-33-400 / 33		HNBR	H337478		
12	1	Shaft seal 58-33-400 / 73		FPM	H337477		
13	2	Piston ring		Iglidur A500	H334863		
14	1	Quad ring		EPDM	H339467		
15	1	Guide band		Acoflon M 100 / TFM 1610	H339468		
16	4	Hexagon srew M8x16		A2-70	H78772		
17	8	Hexagon srew M8x16		A2-70	H78772		
18	1	Yoke DT4-62		1.4305	H339438		
19	2	Yoke cover DT4-62		1.4301	H336654		
20	2	G-union 8x1-G1/8"		PVDF-black	H16388		
21	4	Savetix captive hex screw M4x8 + washer as set		A2-70	H336707		
22	1	Actuator DT4-125-28	23, 24, 25, 26	1.4301	H342255		
23	1	O-ring		NBR	H77107		
24	1	Quad ring		NBR	H342532		
25	1	lower lid actuator insert		1.4301	H342729		
26	2	countersunk screw M5x8		A2-70	H173206		
27	3	W-union G1/8" Ø6mm		hard nickel plated	H208825		
28	1	CU4-S adapter compl.		PA6.6 GF30 black	H320474		
28	1	CU4plus-DT4-62-adapter compl.		PA6.6 GF30 black	H343619		
29	1	Control Units see on page 12					
30	1	Prox. Switch holder SW4 compl.		PA6.6 GF30 black	H173931		
31	1	Adapter DT4 VSM HSG		PA6.6 GF30 black	H343028		
32	1	Operating cam SW4		1.4523	H173087		
33	4	Hexagon srew M8x35		A2-70	H78791		
Pos. 7, 8, 9, 10, 11, 12, 13, 14, 15 available as complete seal kits only							
		Seal kit		EPDM	H344000		
		Seal kit		HNBR	H344001		
		Seal kit		FPM	H344002		

Information contained in this document is subject to change without notice and does not represent a commitment on the part of SPX FLOW, Inc.. No part of this document may be reproduced or transmitted in any form or by any means, electronic or mechanical, including photocopying and recording, for any purpose, without the express written permission of SPX FLOW, Inc..

Spare parts list

Double seat piggyback valve DP4 SL - DN50

Date: 22.02.21
 Name: F.Trim.
 Reviewed:

Date: _____
 Name: _____
 Reviewed: _____

Page 4 of 12
RN 504.047.01

SPX FLOW

pos. item	Quantity	Description, product contacted seals with reference number	included in spare parts (pos.)	Material	Part no.
1	1	Valve housing DP44-50		1.4404	H342909
2	1	Valve housing DP42-50		1.4404	on request
3	1	Upper shaft DT4-50, 2"		1.4404	H342174
4	1	Lower shaft DT4-50, 2"		1.4404	H342233
5	1	Counter ring for lower shaft		1.4523	H339454
6	1	Hexagon nut M12 self locking		A2-70	H112376
7	2	Drain housing DT4-62		1.4404	H339434
8	2	Seat seal 58-33-132 / 93		EPDM	H168192
9	2	Seat seal 58-33-132 / 33		HNBR	H171561
10	2	Seat seal 58-33-132 / 71		FPM	H326493
11	1	Middle seal 58-33-998 / 93		EPDM	H327602
12	1	Middle seal 58-33-998 / 33		HNBR	H332852
13	1	Middle seal 58-33-998 / 73		FPM	H332853
14	1	Quad ring		EPDM	H339798
15	1	Guide ring		Acoflon M 100 / TFM 1610	H339759
16	1	Housing seal 58-33-567 / 93		EPDM	H77558
17	1	Housing seal 58-33-567 / 33		HNBR	H170013
18	1	Housing seal 58-33-567 / 73		FPM	H77557
19	1	Shaft seal 58-33-400 / 93		EPDM	H337476
20	1	Shaft seal 58-33-400 / 33		HNBR	H337478
21	1	Shaft seal 58-33-400 / 73		FPM	H337477
22	2	Piston ring		Iglidur A500	H334863
23	1	Quad ring		EPDM	H339467
24	1	Guide band		Acoflon M 100 / TFM 1610	H339468
25	4	Hexagon srew M8x16		A2-70	H78772
26	8	Hexagon srew M8x16		A2-70	H78772
27	1	Yoke DT4-62		1.4305	H339438
28	2	Yoke cover DT4-62		1.4301	H336654
29	2	G-union 8x1-G1/8"		PVDF-black	H16388

pos. item	Quantity	Description, product contacted seals with reference number	included in spare parts (pos.)	Material	Part no.
21	4	Savetix captive hex screw M4x8 + washer as set		A2-70	H336707
22	1	Actuator DT4-125-40	23, 24, 25, 26	1.4301	H342256
23	1	O-ring		NBR	H77107
24	1	Quad ring		NBR	H342532
25	1	lower lid actuator insert		1.4301	H342729
26	2	countersunk screw M5x8		A2-70	H173206
27	3	W-union G1/8" Ø6mm		hard nickel plated	H208825
28	1	CU4-S adapter compl.		PA6.6 GF30 black	H320474
29	1	CU4plus-DT4-62-adapter compl.		PA6.6 GF30 black	H343619
30	1	Prox. Switch holder SW4 compl.		PA6.6 GF30 black	H173931
31	1	Adapter DT4 VSM HSG		PA6.6 GF30 black	H343028
32	1	Operating cam SW4		1.4523	H173087
33	4	Hexagon srew M8x35		A2-70	H78791

Control Units see on page 12

Pos. 7, 8, 9, 10, 11, 12, 13, 14, 15 available as complete seal kits only

Seal kit		EPDM	H344000
Seal kit		HNBR	H344001
Seal kit		FPM	H344002

Information contained in this document is subject to change without notice and does not represent a commitment on the part of SPX FLOW, Inc.. No part of this document may be reproduced or transmitted in any form or by any means, electronic or mechanical, including photocopying and recording, for any purpose, without the express written permission of SPX FLOW, Inc..

Spare parts list

Double seat piggable valve DP4 SL - 2"

Date: 22.02.21
 Name: F.Trim.
 Reviewed:

Date: _____
 Name: _____
 Reviewed: _____

Page 5 of 12
RN 504.047.01

SPX FLOW

pos. item	Quantity	Description, product contacted seals with reference number	included in spare parts (pos.)	Material	Part no.
1	1	Valve housing DP44-2"		1.4404	H342924
2	1	Valve housing DP42-2"		1.4404	on request
3	1	Upper shaft DT4-50, 2"		1.4404	H342174
4	1	Lower shaft DT4-50, 2"		1.4404	H342233
5	1	Counter ring for lower shaft		1.4523	H339454
6	1	Hexagon nut M12 self locking		A2-70	H112376
7	2	Drain housing DT4-62		1.4404	H339434
8	2	Seat seal 58-33-132 / 93		EPDM	H168192
9	2	Seat seal 58-33-132 / 33		HNBR	H171561
10	2	Seat seal 58-33-132 / 71		FPM	H326493
11	1	Middle seal 58-33-998 / 93		EPDM	H327602
12	1	Middle seal 58-33-998 / 33		HNBR	H332852
13	1	Middle seal 58-33-998 / 73		FPM	H332653
14	1	Quad ring		EPDM	H339798
15	1	Guide ring		Acoflon M 100 / TFM 1610	H339759
16	1	Housing seal 58-33-567 / 93		EPDM	H77558
17	1	Housing seal 58-33-567 / 33		HNBR	H170013
18	1	Housing seal 58-33-567 / 73		FPM	H77557
19	1	Shaft seal 58-33-400 / 93		EPDM	H337476
20	1	Shaft seal 58-33-400 / 33		HNBR	H337478
21	1	Shaft seal 58-33-400 / 73		FPM	H337477
22	2	Piston ring		Iglidur A500	H334863
23	1	Quad ring		EPDM	H339467
24	1	Guide band		Acoflon M 100 / TFM 1610	H339468
25	4	Hexagon srew M8x16		A2-70	H78772
26	8	Hexagon srew M8x16		A2-70	H78772
27	1	Yoke DT4-62		1.4305	H339438
28	2	Yoke cover DT4-62		1.4301	H336654
29	2	G-union 8x1-G1/8"		PVDF-black	H16388

pos. item	Quantity	Description, product contacted seals with reference number	included in spare parts (pos.)	Material	Part no.
21	4	Savetix captive hex screw M4x8 + washer as set		A2-70	H336707
22	1	Actuator DT4-125-40	23, 24, 25, 26	1.4301	H342256
23	1	O-ring		NBR	H77107
24	1	Quad ring		NBR	H342532
25	1	lower lid actuator insert		1.4301	H342729
26	2	countersunk screw M5x8		A2-70	H173206
27	3	W-union G1/8" Ø6mm		hard nickel plated	H208825
28	1	CU4-S adapter cmpl.		PA6.6 GF30 black	H320474
29	1	CU4plus-DT4-62-adapter cmpl.		PA6.6 GF30 black	H343619
30	1	Prox. Switch holder SW4 cmpl.		PA6.6 GF30 black	H173931
31	1	Adapter DT4 VSM HSG		PA6.6 GF30 black	H343028
32	1	Operating cam SW4		1.4523	H173087
33	4	Hexagon srew M8x35		A2-70	H78791

Control Units see on page 12

Pos. 7, 8, 9, 10, 11, 12, 13, 14, 15 available as complete seal kits only

		Seal kit		EPDM	H344000
		Seal kit		HNBR	H344001
		Seal kit		FPM	H344002

Information contained in this document is subject to change without notice and does not represent a commitment on the part of SPX FLOW, Inc.. No part of this document may be reproduced or transmitted in any form or by any means, electronic or mechanical, including photocopying and recording, for any purpose, without the express written permission of SPX FLOW, Inc..

Spare parts list

Double seat piggable valve DP4 SL - 2,5"

Date: 22.02.21
 Name: F.Trim.
 Reviewed:

Date: _____
 Name: _____
 Reviewed: _____

Page 6 of 12
RN 504.047.01

SPX FLOW

pos. item	Quantity	Description, product contacted seals with reference number	included in spare parts (pos.)	Material	Part no.
1	1	Valve housing DP44-2,5"		1.4404	H342927
2	1	Valve housing DP42-2,5"		1.4404	on request
3	1	Upper shaft DT4-2,5"		1.4404	H342177
4	1	Lower shaft DT4-2,5"		1.4404	H342236
5	1	Counter ring for lower shaft		1.4523	H339454
6	1	Hexagon nut M12 self locking		A2-70	H112376
7	2	Drain housing DT4-62		1.4404	H339434
8	2	Seat seal 58-33-132 / 93		EPDM	H168192
9	2	Seat seal 58-33-132 / 33		HNBR	H171561
10	2	Seat seal 58-33-132 / 71		FPM	H326493
11	1	Middle seal 58-33-998 / 93		EPDM	H327602
12	1	Middle seal 58-33-998 / 33		HNBR	H332852
13	1	Middle seal 58-33-998 / 73		FPM	H332653
14	1	Quad ring		EPDM	H339798
15	1	Guide ring		Acoflon M 100 / TFM 1610	H339759
16	1	Housing seal 58-33-567 / 93		EPDM	H77558
17	1	Housing seal 58-33-567 / 33		HNBR	H170013
18	1	Housing seal 58-33-567 / 73		FPM	H77557
19	1	Shaft seal 58-33-400 / 93		EPDM	H337476
20	1	Shaft seal 58-33-400 / 33		HNBR	H337478
21	1	Shaft seal 58-33-400 / 73		FPM	H337477
22	2	Piston ring		Iglidur A500	H334863
23	1	Quad ring		EPDM	H339467
24	1	Guide band		Acoflon M 100 / TFM 1610	H339468
25	4	Hexagon srew M8x16		A2-70	H78772
26	8	Hexagon srew M8x16		A2-70	H78772
27	1	Yoke DT4-62		1.4305	H339438
28	2	Yoke cover DT4-62		1.4301	H336654
29	2	G-union 8x1-G1/8"		PVDF-black	H16388

pos. item	Quantity	Description, product contacted seals with reference number	included in spare parts (pos.)	Material	Part no.
21	4	Savetix captive hex screw M4x8 + washer as set		A2-70	H336707
22	1	Actuator DT4-125-50	23, 24, 25, 26	1.4301	H339440
23	1	O-ring		NBR	H77107
24	1	Quad ring		NBR	H342532
25	1	lower lid actuator insert		1.4301	H342729
26	2	countersunk screw M5x8		A2-70	H173206
27	3	W-union G1/8" Ø6mm		hard nickel plated	H208825
28	1	CU4-S adapter compl.		PA6.6 GF30 black	H320474
29	1	CU4plus-DT4-62-adapter compl.		PA6.6 GF30 black	H343619
30	1	Prox. Switch holder SW4 compl.		PA6.6 GF30 black	H173931
31	1	Adapter DT4 VSM HSG		PA6.6 GF30 black	H343028
32	1	Operating cam SW4		1.4523	H173087
33	4	Hexagon srew M8x35		A2-70	H78791

Control Units see on page 12

Pos. 7, 8, 9, 10, 11, 12, 13, 14, 15 available as complete seal kits only

Seal kit EPDM H344000

Seal kit HNBR H344001

Seal kit FPM H344002

Information contained in this document is subject to change without notice and does not represent a commitment on the part of SPX FLOW, Inc.. No part of this document may be reproduced or transmitted in any form or by any means, electronic or mechanical, including photocopying and recording, for any purpose, without the express written permission of SPX FLOW, Inc..

Spare parts list

Double seat piggyback valve DP4 SL - DN65

Date: 22.02.21
 Name: F.Trim.
 Reviewed:

Date: _____
 Name: _____
 Reviewed: _____

Page 7 of 12
RN 504.047.01

SPX FLOW

pos. item	Quantity	Description, product contacted seals with reference number	included in spare parts (pos.)	Material	Part no.
1	1	Valve housing DP44-65		1.4404	H342912
1	1	Valve housing DP42-65		1.4404	on request
2	1	Upper shaft DT4-65		1.4404	H339427
3	1	Lower shaft DT4-65		1.4404	H339430
4	1	Counter ring for lower shaft		1.4523	H339454
5	1	Hexagon nut M12 self locking		A2-70	H112376
6	1	Drain housing DT4-62		1.4404	H339434
7	2	Seat seal 58-33-132 / 93		EPDM	H168192
7	2	Seat seal 58-33-132 / 33		HNBR	H171561
7	2	Seat seal 58-33-132 / 71		FPM	H326493
8	1	Middle seal 58-33-998 / 93		EPDM	H327602
8	1	Middle seal 58-33-998 / 33		HNBR	H332852
8	1	Middle seal 58-33-998 / 73		FPM	H332853
9	1	Quad ring		EPDM	H339798
10	1	Guide ring		Acoflon M 100 / TFM 1610	H339759
11	1	Housing seal 58-33-567 / 93		EPDM	H77558
11	1	Housing seal 58-33-567 / 33		HNBR	H170013
11	1	Housing seal 58-33-567 / 73		FPM	H77557
12	1	Shaft seal 58-33-400 / 93		EPDM	H337476
12	1	Shaft seal 58-33-400 / 33		HNBR	H337478
12	1	Shaft seal 58-33-400 / 73		FPM	H337477
13	2	Piston ring		Iglidur A500	H334863
14	1	Quad ring		EPDM	H339467
15	1	Guide band		Acoflon M 100 / TFM 1610	H339468
16	4	Hexagon srew M8x16		A2-70	H78772
17	8	Hexagon srew M8x16		A2-70	H78772
18	1	Yoke DT4-62		1.4305	H339438
19	2	Yoke cover DT4-62		1.4301	H336654
20	2	G-union 8x1-G1/8"		PVDF-black	H16388

pos. item	Quantity	Description, product contacted seals with reference number	included in spare parts (pos.)	Material	Part no.
21	4	Savetix captive hex screw M4x8 + washer as set		A2-70	H336707
22	1	Actuator DT4-125-50	23, 24, 25, 26	1.4301	H339440
23	1	O-ring		NBR	H77107
24	1	Quad ring		NBR	H342532
25	1	lower lid actuator insert		1.4301	H342729
26	2	countersunk screw M5x8		A2-70	H173206
27	3	W-union G1/8" Ø6mm		hard nickel plated	H208825
28	1	CU4-S adapter compl.		PA6.6 GF30 black	H320474
28	1	CU4plus-DT4-62-adapter compl.		PA6.6 GF30 black	H343619
29	1	Control Units see on page 12			
30	1	Prox. Switch holder SW4 compl.		PA6.6 GF30 black	H173931
31	1	Adapter DT4 VSM HSG		PA6.6 GF30 black	H343028
32	1	Operating cam SW4		1.4523	H173087
33	4	Hexagon srew M8x35		A2-70	H78791

Pos. 7, 8, 9, 10, 11, 12, 13, 14, 15 available as complete seal kits only

Seal kit	EPDM	H344000
Seal kit	HNBR	H344001
Seal kit	FPM	H344002

Information contained in this document is subject to change without notice and does not represent a commitment on the part of SPX FLOW, Inc.. No part of this document may be reproduced or transmitted in any form or by any means, electronic or mechanical, including photocopying and recording, for any purpose, without the express written permission of SPX FLOW, Inc..

Spare parts list

Double seat piggable valve DP4 SL - 3"

Date: 22.02.21
 Name: F.Trim.
 Reviewed:

Date: _____
 Name: _____
 Reviewed: _____

Page 8 of 12
RN 504.047.01

SPX FLOW

pos. item	Quantity	Description, product contacted seals with reference number	included in spare parts (pos.)	Material	Part no.
1	1	Valve housing DP44-3"		1.4404	H342930
2	1	Valve housing DP42-3"		1.4404	on request
3	1	Upper shaft DT4-3"		1.4404	H342178
4	1	Lower shaft DT4-3"		1.4404	H342237
5	1	Counter ring for lower shaft		1.4523	H339454
6	1	Hexagon nut M12 self locking		A2-70	H112376
7	2	Drain housing DT4-62		1.4404	H339434
8	2	Seat seal 58-33-132 / 93		EPDM	H168192
9	2	Seat seal 58-33-132 / 33		HNBR	H171561
10	2	Seat seal 58-33-132 / 71		FPM	H326493
11	1	Middle seal 58-33-998 / 93		EPDM	H327602
12	1	Middle seal 58-33-998 / 33		HNBR	H332852
13	1	Middle seal 58-33-998 / 73		FPM	H332853
14	1	Quad ring		EPDM	H339798
15	1	Guide ring		Acoflon M 100 / TFM 1610	H339759
16	1	Housing seal 58-33-567 / 93		EPDM	H77558
17	1	Housing seal 58-33-567 / 33		HNBR	H170013
18	1	Housing seal 58-33-567 / 73		FPM	H77557
19	1	Shaft seal 58-33-400 / 93		EPDM	H337476
20	1	Shaft seal 58-33-400 / 33		HNBR	H337478
21	1	Shaft seal 58-33-400 / 73		FPM	H337477
22	2	Piston ring		Iglidur A500	H334863
23	1	Quad ring		EPDM	H339467
24	1	Guide band		Acoflon M 100 / TFM 1610	H339468
25	4	Hexagon srew M8x16		A2-70	H78772
26	8	Hexagon srew M8x16		A2-70	H78772
27	1	Yoke DT4-62		1.4305	H339438
28	2	Yoke cover DT4-62		1.4301	H336654
29	2	G-union 8x1-G1/8"		PVDF-black	H16388

pos. item	Quantity	Description, product contacted seals with reference number	included in spare parts (pos.)	Material	Part no.
21	4	Savetix captive hex screw M4x8 + washer as set		A2-70	H336707
22	1	Actuator DT4-125-50	23, 24, 25, 26	1.4301	H339440
23	1	O-ring		NBR	H77107
24	1	Quad ring		NBR	H342532
25	1	lower lid actuator insert		1.4301	H342729
26	2	countersunk screw M5x8		A2-70	H173206
27	3	W-union G1/8" Ø6mm		hard nickel plated	H208825
28	1	CU4-S adapter compl.		PA6.6 GF30 black	H320474
29	1	CU4plus-DT4-62-adapter compl.		PA6.6 GF30 black	H343619
30	1	Prox. Switch holder SW4 compl.		PA6.6 GF30 black	H173931
31	1	Adapter DT4 VSM HSG		PA6.6 GF30 black	H343028
32	1	Operating cam SW4		1.4523	H173087
33	4	Hexagon srew M8x35		A2-70	H78791

Control Units see on page 12

Pos. 7, 8, 9, 10, 11, 12, 13, 14, 15 available as complete seal kits only

Seal kit		EPDM	H344000
Seal kit		HNBR	H344001
Seal kit		FPM	H344002

Information contained in this document is subject to change without notice and does not represent a commitment on the part of SPX FLOW, Inc.. No part of this document may be reproduced or transmitted in any form or by any means, electronic or mechanical, including photocopying and recording, for any purpose, without the express written permission of SPX FLOW, Inc..

Spare parts list

Double seat piggyback valve DP4 SL - DN80

Date: 22.02.21
 Name: F.Trim.
 Reviewed:

Date: _____
 Name: _____
 Reviewed: _____

Page 9 of 12
RN 504.047.01

SPX FLOW

pos. item	Quantity	Description, product contacted seals with reference number	included in spare parts (pos.)	Material	Part no.
1	1	Valve housing DP44-80		1.4404	H342915
2	1	Valve housing DP42-80		1.4404	on request
3	1	Upper shaft DT4-80		1.4404	H342175
4	1	Lower shaft DT4-80		1.4404	H342234
5	1	Counter ring for lower shaft		1.4523	H339454
6	1	Hexagon nut M12 self locking		A2-70	H112376
7	2	Drain housing DT4-92		1.4404	H342251
8	2	Seat seal 58-33-133 / 93		EPDM	H168153
9	2	Seat seal 58-33-133 / 33		HNBR	H171565
10	2	Seat seal 58-33-133 / 71		FPM	H326494
11	1	Middle seal 58-33-997 / 93		EPDM	H327985
12	1	Middle seal 58-33-997 / 33		HNBR	H332849
13	1	Middle seal 58-33-997 / 73		FPM	H332848
14	1	Quad ring		EPDM	H339798
15	1	Guide ring		Acoflon M 100 / TFM 1610	H339759
16	1	Housing seal 58-33-642 / 93		EPDM	H77583
17	1	Housing seal 58-33-642 / 33		HNBR	H170074
18	1	Housing seal 58-33-642 / 73		FPM	H77582
19	1	Shaft seal 58-33-405 / 93		EPDM	H337668
20	1	Shaft seal 58-33-405 / 33		HNBR	H337670
21	1	Shaft seal 58-33-405 / 73		FPM	H337669
22	2	Piston ring		Iglidur A500	H335702
23	1	Quad ring		EPDM	H339467
24	1	Guide band		Acoflon M 100 / TFM 1610	H339468
25	4	Hexagon srew M10x16		A2-70	H78806
26	8	Hexagon srew M8x16		A2-70	H78772
27	1	Yoke DT4-92		1.4305	H342254
28	2	Yoke cover DT4-92		1.4301	H342716
29	2	G-union 8x1-G1/8"		PVDF-black	H16388

pos. item	Quantity	Description, product contacted seals with reference number	included in spare parts (pos.)	Material	Part no.
21	4	Savetix captive hex screw M4x8 + washer as set		A2-70	H336707
22	1	Actuator DT4-180-60	23, 24, 25, 26	1.4301	H342717
23	1	O-ring		NBR	H77107
24	1	Quad ring		NBR	H342532
25	1	lower lid actuator insert		1.4301	H342729
26	2	countersunk screw M5x8		A2-70	H173206
27	3	W-union G1/8" Ø6mm		hard nickel plated	H208825
28	1	CU4-S adapter cmpl.		PA6.6 GF30 black	H320474
29	1	CU4plus-DT4-92-adapter cmpl.		PA6.6 GF30 black	H343620
30	1	Prox. Switch holder SW4 cmpl.		PA6.6 GF30 black	H173931
31	1	Adapter DT4 VSM HSG		PA6.6 GF30 black	H343028
32	1	Operating cam SW4		1.4523	H173087
33	4	Hexagon srew M8x35		A2-70	H78791

Control Units see on page 12

Pos. 7, 8, 9, 10, 11, 12, 13, 14, 15 available as complete seal kits only

Seal kit		EPDM	H344003
Seal kit		HNBR	H344004
Seal kit		FPM	H344005

Information contained in this document is subject to change without notice and does not represent a commitment on the part of SPX FLOW, Inc.. No part of this document may be reproduced or transmitted in any form or by any means, electronic or mechanical, including photocopying and recording, for any purpose, without the express written permission of SPX FLOW, Inc..

Spare parts list

Double seat piggyback valve DP4 SL - DN100

Date: 22.02.21
 Name: F.Trim.
 Reviewed:

Date: _____
 Name: _____
 Reviewed: _____

Page 10 of 12
RN 504.047.01

SPX FLOW

pos. item	Quantity	Description, product contacted seals with reference number	included in spare parts (pos.)	Material	Part no.
1	1	Valve housing DP44-100		1.4404	H342918
2	1	Valve housing DP42-100		1.4404	on request
3	1	Upper shaft DT4-100, 4"		1.4404	H342176
4	1	Lower shaft DT4-100, 4"		1.4404	H342235
5	1	Counter ring for lower shaft		1.4523	H339454
6	1	Hexagon nut M12 self locking		A2-70	H112376
7	2	Drain housing DT4-92		1.4404	H342251
8	2	Seat seal 58-33-133 / 93		EPDM	H168153
9	2	Seat seal 58-33-133 / 33		HNBR	H171565
10	2	Seat seal 58-33-133 / 71		FPM	H326494
11	1	Middle seal 58-33-997 / 93		EPDM	H327985
12	1	Middle seal 58-33-997 / 33		HNBR	H332849
13	1	Middle seal 58-33-997 / 73		FPM	H332848
14	1	Quad ring		EPDM	H339798
15	1	Guide ring		Acoflon M 100 / TFM 1610	H339759
16	1	Housing seal 58-33-642 / 93		EPDM	H77583
17	1	Housing seal 58-33-642 / 33		HNBR	H170074
18	1	Housing seal 58-33-642 / 73		FPM	H77582
19	1	Shaft seal 58-33-405 / 93		EPDM	H337668
20	1	Shaft seal 58-33-405 / 33		HNBR	H337670
21	1	Shaft seal 58-33-405 / 73		FPM	H337669
22	2	Piston ring		Iglidur A500	H335702
23	1	Quad ring		EPDM	H339467
24	1	Guide band		Acoflon M 100 / TFM 1610	H339468
25	4	Hexagon srew M10x16		A2-70	H78806
26	8	Hexagon srew M8x16		A2-70	H78772
27	1	Yoke DT4-92		1.4305	H342254
28	2	Yoke cover DT4-92		1.4301	H342716
29	2	G-union 8x1-G1/8"		PVDF-black	H16388

pos. item	Quantity	Description, product contacted seals with reference number	included in spare parts (pos.)	Material	Part no.
21	4	Savetix captive hex screw M4x8 + washer as set		A2-70	H336707
22	1	Actuator DT4-180-60	23, 24, 25, 26	1.4301	H342717
23	1	O-ring		NBR	H77107
24	1	Quad ring		NBR	H342532
25	1	lower lid actuator insert		1.4301	H342729
26	2	countersunk screw M5x8		A2-70	H173206
27	3	W-union G1/8" Ø6mm		hard nickel plated	H208825
28	1	CU4-S adapter compl.		PA6.6 GF30 black	H320474
29	1	CU4plus-DT4-92-adapter compl.		PA6.6 GF30 black	H343620
30	1	Prox. Switch holder SW4 compl.		PA6.6 GF30 black	H173931
31	1	Adapter DT4 VSM HSG		PA6.6 GF30 black	H343028
32	1	Operating cam SW4		1.4523	H173087
33	4	Hexagon srew M8x35		A2-70	H78791

Control Units see on page 12

Pos. 7, 8, 9, 10, 11, 12, 13, 14, 15 available as complete seal kits only

Seal kit		EPDM	H344003
Seal kit		HNBR	H344004
Seal kit		FPM	H344005

Information contained in this document is subject to change without notice and does not represent a commitment on the part of SPX FLOW, Inc.. No part of this document may be reproduced or transmitted in any form or by any means, electronic or mechanical, including photocopying and recording, for any purpose, without the express written permission of SPX FLOW, Inc..

Spare parts list

Double seat piggable valve DP4 SL - 4"

Date: 22.02.21
 Name: F.Trim.
 Reviewed:

Date: _____
 Name: _____
 Reviewed: _____

Page 11 of 12
RN 504.047.01

SPX FLOW

pos. item	Quantity	Description, product contacted seals with reference number	included in spare parts (pos.)	Material	Part no.
1	1	Valve housing DP44-4"		1.4404	H342933
2	1	Valve housing DP42-4"		1.4404	on request
3	1	Upper shaft DT4-100, 4"		1.4404	H342176
4	1	Lower shaft DT4-100, 4"		1.4404	H342235
5	1	Counter ring for lower shaft		1.4523	H339454
6	1	Hexagon nut M12 self locking		A2-70	H112376
7	2	Drain housing DT4-92		1.4404	H342251
8	2	Seat seal 58-33-133 / 93		EPDM	H168153
9	2	Seat seal 58-33-133 / 33		HNBR	H171565
10	2	Seat seal 58-33-133 / 71		FPM	H326494
11	1	Middle seal 58-33-997 / 93		EPDM	H327985
12	1	Middle seal 58-33-997 / 33		HNBR	H332849
13	1	Middle seal 58-33-997 / 73		FPM	H332848
14	1	Quad ring		EPDM	H339798
15	1	Guide ring		Acoflon M 100 / TFM 1610	H339759
16	1	Housing seal 58-33-642 / 93		EPDM	H77583
17	1	Housing seal 58-33-642 / 33		HNBR	H170074
18	1	Housing seal 58-33-642 / 73		FPM	H77582
19	1	Shaft seal 58-33-405 / 93		EPDM	H337668
20	1	Shaft seal 58-33-405 / 33		HNBR	H337670
21	1	Shaft seal 58-33-405 / 73		FPM	H337669
22	2	Piston ring		Iglidur A500	H335702
23	1	Quad ring		EPDM	H339467
24	1	Guide band		Acoflon M 100 / TFM 1610	H339468
25	4	Hexagon srew M10x16		A2-70	H78806
26	8	Hexagon srew M8x16		A2-70	H78772
27	1	Yoke DT4-92		1.4305	H342254
28	2	Yoke cover DT4-92		1.4301	H342716
29	2	G-union 8x1-G1/8"		PVDF-black	H16388

pos. item	Quantity	Description, product contacted seals with reference number	included in spare parts (pos.)	Material	Part no.
21	4	Savetix captive hex screw M4x8 + washer as set		A2-70	H336707
22	1	Actuator DT4-180-60	23, 24, 25, 26	1.4301	H342717
23	1	O-ring		NBR	H77107
24	1	Quad ring		NBR	H342532
25	1	lower lid actuator insert		1.4301	H342729
26	2	countersunk screw M5x8		A2-70	H173206
27	3	W-union G1/8" Ø6mm		hard nickel plated	H208825
28	1	CU4-S adapter compl.		PA6.6 GF30 black	H320474
29	1	CU4plus-DT4-92-adapter compl.		PA6.6 GF30 black	H343620
30	1	Prox. Switch holder SW4 compl.		PA6.6 GF30 black	H173931
31	1	Adapter DT4 VSM HSG		PA6.6 GF30 black	H343028
32	1	Operating cam SW4		1.4523	H173087
33	4	Hexagon srew M8x35		A2-70	H78791

Control Units see on page 12

Pos. 7, 8, 9, 10, 11, 12, 13, 14, 15 available as complete seal kits only

Seal kit		EPDM	H344003
Seal kit		HNBR	H344004
Seal kit		FPM	H344005

Information contained in this document is subject to change without notice and does not represent a commitment on the part of SPX FLOW, Inc.. No part of this document may be reproduced or transmitted in any form or by any means, electronic or mechanical, including photocopying and recording, for any purpose, without the express written permission of SPX FLOW, Inc..

Spare parts list

Double seat piggable valve DP4 SL - Control Units

Date: 22.02.21
 Name: F.Trim.
 Reviewed:

SPX FLOW

Page 12 of 12
 RN 504.047.01

pos. item	Quantity	Description, product contacted seals with reference number	air connections	Material	Part no.
	1	CU43 DT4 Direct Connect	6 mm	PA6.6 GF30 black	H342432
	1	CU43 DT4 Direct Connect M12-8pin	6 mm	PA6.6 GF30 black	H342430
	1	CU43 DT4 AS-i extended	6 mm	PA6.6 GF30 black	H342428
	1	CU43 DT4 AS-i extended M12-4pin	6 mm	PA6.6 GF30 black	H342426
	1	CU43 DT4 Direct Connect	1/4" OD	PA6.6 GF30 black	H342433
	1	CU43 DT4 Direct Connect M12-8pin	1/4" OD	PA6.6 GF30 black	H342431
	1	CU43 DT4 AS-i extended	1/4" OD	PA6.6 GF30 black	H342429
	1	CU43 DT4 AS-i extended M12-4pin	1/4" OD	PA6.6 GF30 black	H342427
31	1	CU43 plus DT4 Direct Connect	6 mm	PA6.6 GF30 black	H342454
	1	CU43 plus DT4 Direct Connect M12-8pin	6 mm	PA6.6 GF30 black	H342474
	1	CU43 plus DT4 AS-i extended	6 mm	PA6.6 GF30 black	H342423
	1	CU43 plus DT4 AS-i extended M12-4pin	6 mm	PA6.6 GF30 black	H342421
	1	CU43 plus DT4 Direct Connect	1/4" OD	PA6.6 GF30 black	H342455
	1	CU43 plus DT4 Direct Connect M12-8pin	1/4" OD	PA6.6 GF30 black	H342473
	1	CU43 plus DT4 AS-i extended	1/4" OD	PA6.6 GF30 black	H342424
	1	CU43 plus DT4 AS-i extended M12-4pin	1/4" OD	PA6.6 GF30 black	H342422



DT4 SL

DOUBLE SEAT TANK OUTLET VALVE

DP4 SL

DOUBLE SEAT PIGGABLE VALVE

SPX FLOW

Design Center

Gottlieb-Daimler-Straße 13
D-59439 Holzwickede, Germany
P: (+49) (0) 2301-9186-0
F: (+49) (0) 2301-9186-300

SPX FLOW, Inc.

Production

611 Sugar Creek Road
Delavan, WI 53115, USA
P: (+1) 262 728 1900 or (800) 252 5200
F: (+1) 262 728 4904 or (800) 252 5012
E: wcb@spxflow.com

SPX FLOW reserves the right to incorporate the latest design and material changes without notice or obligation.

Design features, materials of construction and dimensional data, as described in this manual, are provided for your information only and should not be relied upon unless confirmed in writing. Please contact your local sales representative for product availability in your region. For more information visit www.spxflow.com.

ISSUED 05/2021 - Original manual
COPYRIGHT ©2021 SPX FLOW, Inc.